

空气呼吸器

REBREATHER

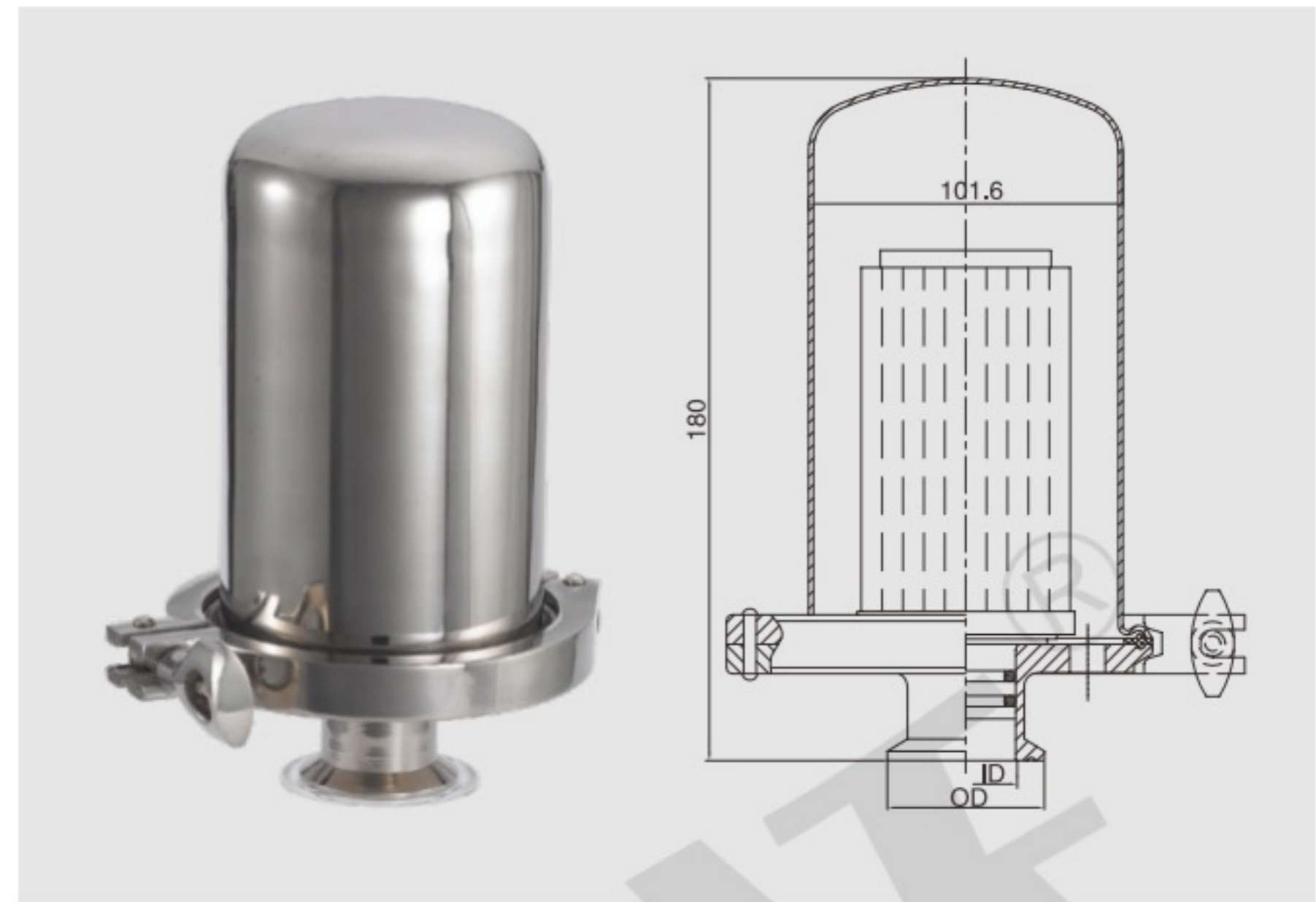
应用 / APPLICATIONS

利用微孔过滤器的过滤原理, 防止储罐因液位下降吸入空气时外部空气中尘埃粒子的进入, 保证了罐内空气的洁净度。

- 壳体材料采用进口316L或304
- 内表面经抛光处理
- 表面粗糙度 $Ra \leq 0.4\mu m$
- 通量 : $0.75m^3/min$ 、 $1.5m^3/min$ 、 $3m^3/min$
- 接口方式有: 卡箍式、法兰

The principle is same as microporous filter. It can prevent the outside particulates coming into the storage tank due to the liquid level descends. It ensures the air purity in the tank.

- Housing material: 316L/304.
- Inner surface polish: $Ra \leq 0.4\mu m$
- Capacity: $0.75/min$, $1.5/min$, $3/min$
- Connection ends: Clamped. Flanged



SIZE	ID	OD
1"	22	50.5
1 1/4"	29	50.5
1 1/2"	35	50.5
2"	48	64

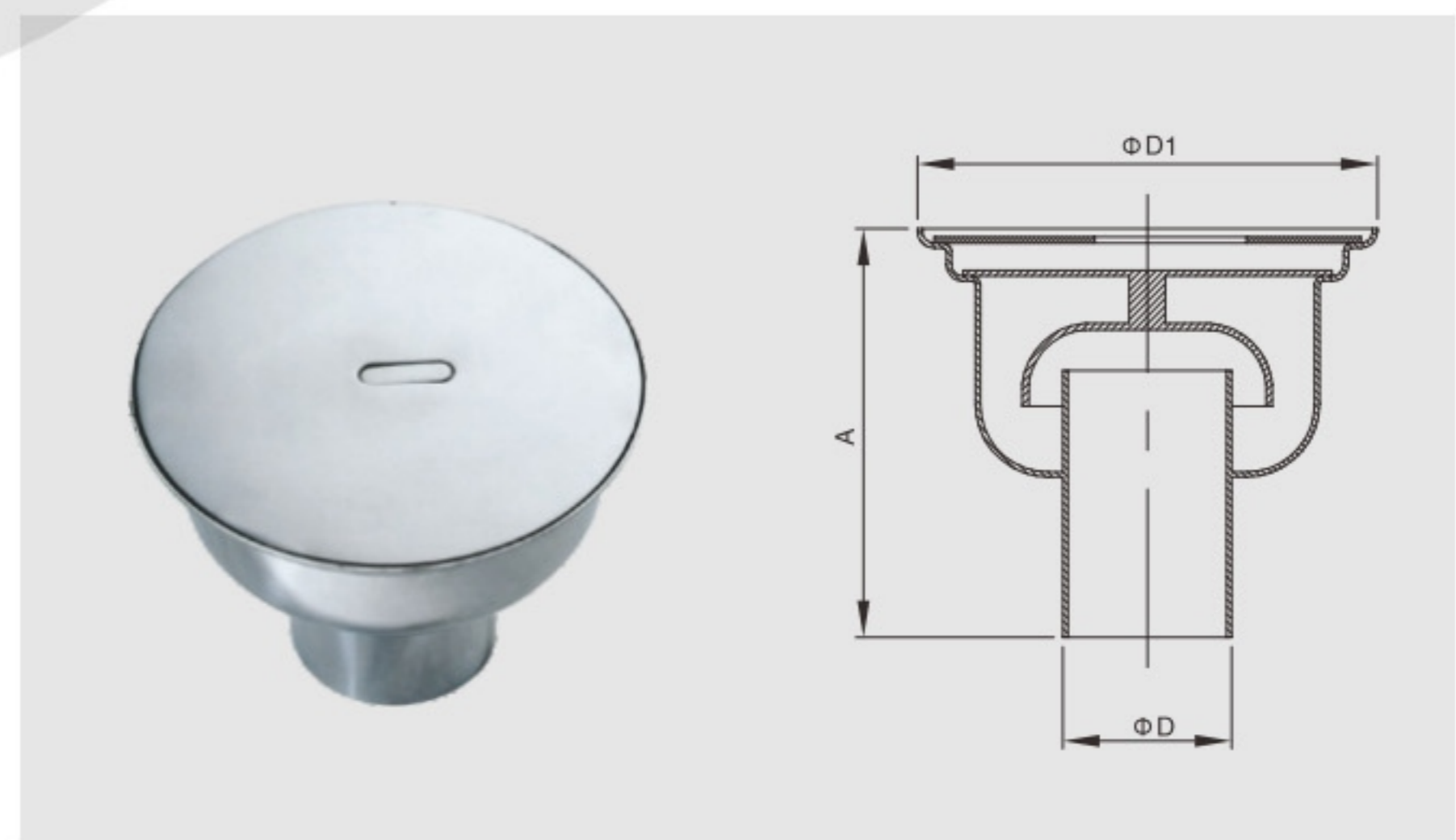
卫生级地漏

SANITARY FLOOR DRAIN

应用 / APPLICATIONS

- 该地漏适用于食品、改料, 制药等卫生洁净车间。
- 全不锈钢制作, 304/316L
- 规格从1"-4", DN25-DN100
- 设计有网孔和污料头防止颗粒污料进入堵塞排泄管道
- 可取下盖子和污料斗清洗地漏防止细菌繁殖

- The drainer is used in the hygienic workshops of food processing, pharmacy industries.
- Material: 304/316L
- Size: 1"- 4", DN25-DN100
- Metal meshes and hopper can prevent dirty particulates from blocking pipeline.
- Cover and hopper can be cleaned to prevent bacteria from propagating.



SIZE	A	D	D1
1"	80	25	130
1 1/2"	80	38	130
2"	100	51	195
2 1/2"	100	63	195
3"	130	76	230
4"	130	100	230

