

# SANITARY ANGLE SEAT VALVE

## 卫生级角座阀



## 气动角座阀系列

### PNEUMATIC ANGLE SEAT VALVE SERIES

#### 应用

角座阀具有流量大、省空间、耐高压等特性，被广泛应用于食品、饮料、制药及医疗设备、精细化工、水处理等行业。非常适用于短时间内高频气动，反应灵敏，动作准确，可以配合电磁阀或定位器使用，用于气动控制、精准流量调节等功能，可以实现对流体液体和蒸汽流量的精准控制。

#### APPLICATION

Angle seat valves have the characteristics of large flow, space saving, and high pressure resistance. They are widely used in food, beverage, pharmaceutical and medical equipment, fine chemicals, water treatment and other industries. It is very suitable for high-frequency pneumatics in a short period of time, with sensitive response and accurate movement. It can be used with solenoid valves or positioners for pneumatic control, precise flow adjustment and other functions, and can achieve precise control of fluid, liquid and steam flow.

#### 工作原理

在非工作状态时，由于弹簧力作用，阀门常闭(开)。当执行器活塞被压缩气体作用时，阀门打开(关闭)。双作用形式靠压缩气体控制阀门开关。

#### FUNCTION PRINCIPLE

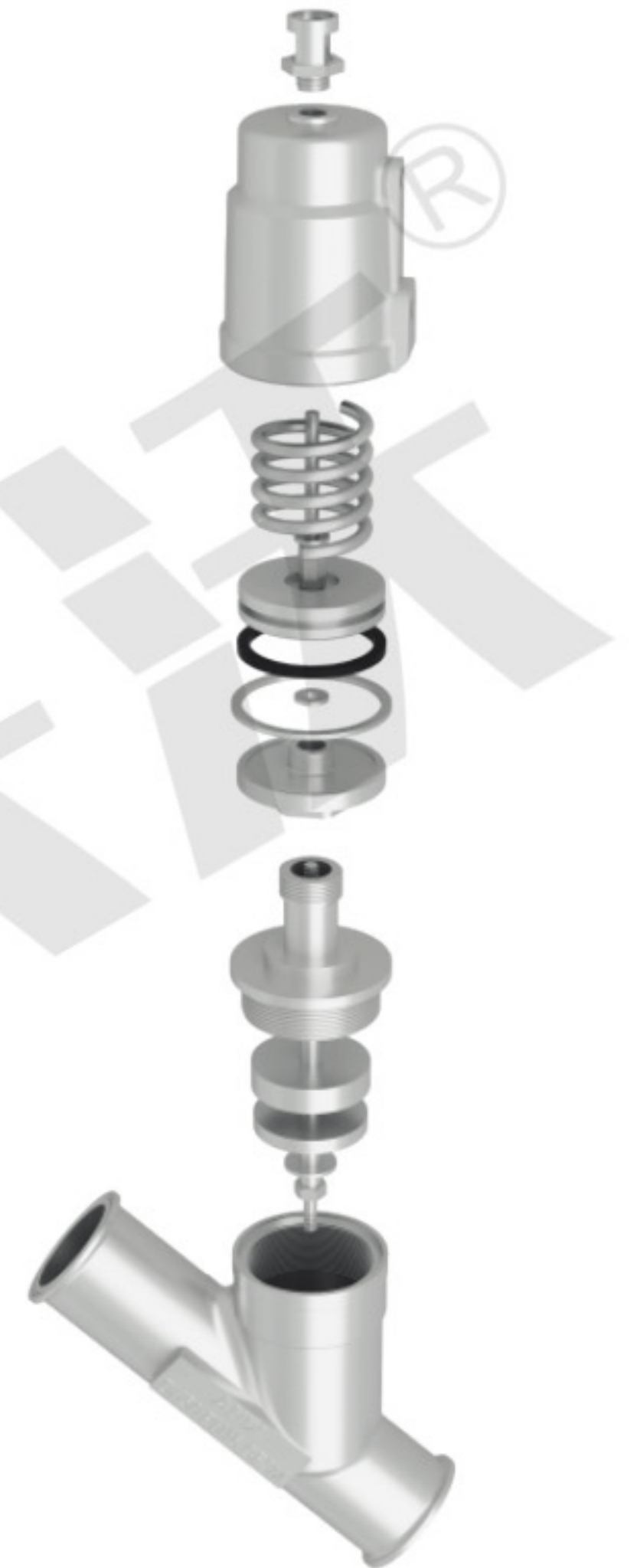
Valve is closed(open) with spring force, when the piston is actuated by compressed air, valve is open(closed). For the double acting type, the valve is open and closed by compressed air.

#### 技术特点

- 多种可选附件：限位螺栓(开/关)，电子式位置反馈，调节定位器；
- 不锈钢气动头，耐紫外线，比塑料及铝合金气动头更加耐用，可在恶劣环境中使用，可360度旋转；
- 耐腐蚀性，设计符合GMP标准，无死角、无滞留、易于清洗；
- 先进的阀体角座结构，流量比普通阀体大30%左右，流通性比同类产品好；
- 密封材料是聚四氟乙烯，可抗180°C的高温；
- 气动头和阀体之间的密封由多层不同材料的密封圈组成，密封效果更好；
- 无水锤作用，流通从阀杆下方流入时，水锤(冲击力)被吸收。

#### TECHNICAL FEATURES

- Various optional accessories: limit bolt (open/close), electronic position feedback, adjusting positioner;
- Stainless steel pneumatic head, UV-resistant, more durable than plastic and aluminum alloy pneumatic heads, can be used in harsh environments, and can rotate 360 degrees;
- Corrosion resistance, design complies with GMP standards, no dead corners, no retention, and easy to clean;
- Advanced valve body angle seat structure, the flow rate is about 30% greater than that of ordinary valve bodies, and the fluidity is better than similar products.
- The sealing material is polytetrafluoroethylene, which can withstand high temperatures of 180°C;
- The seal between the pneumatic head and the valve body is composed of multiple layers of sealing rings of different materials, which has better sealing effect;
- There is no water hammer effect. When the flow flows in from under the valve stem, the water hammer (impact force) is absorbed.



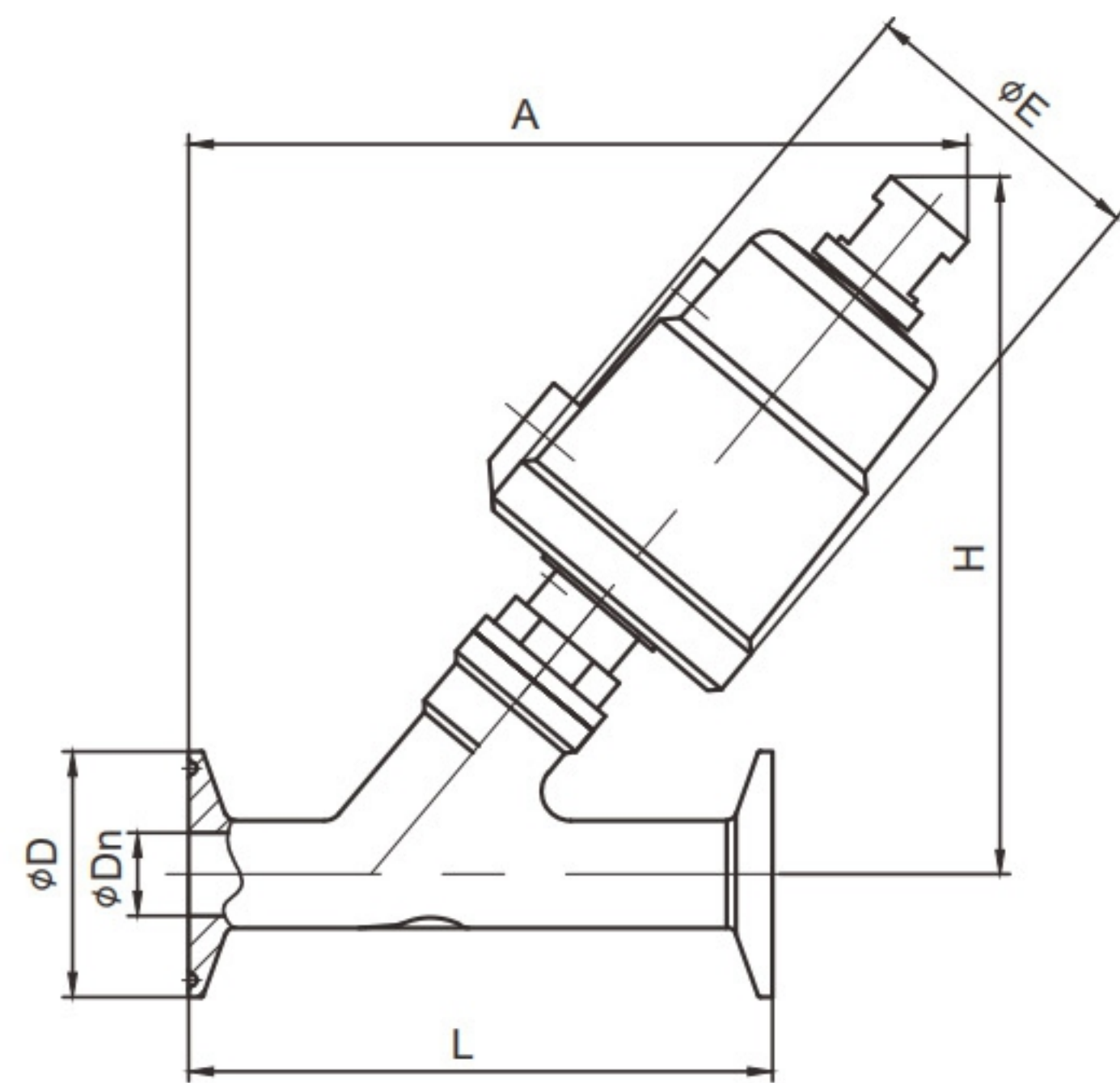
#### 技术参数

##### TECHNICAL PARAMETERS

管道压力	Max 1.6MPa(232psi)
控制压力	0.3-0.8MPa(43.5-116psi)
控制介质	中性气体或空气
阀体材料	CF3M/CF8
密封材料	PTFE
气缸材料	CF8
气缸尺寸	50mm, 63mm, 90mm, 125mm
适用介质	水, 酒精, 油, 燃料, 蒸汽, 中性气体或液体, 有机溶剂, 酸碱溶液
介质粘度	Max 600mm <sup>2</sup> /s
介质温度	常温型(-10°C—+180°C), 高温型(25°C—+220°C)
环境温度	-10°C—60°C
控制形式	单作用常闭, 常开, 双作用常闭, 双作用自由态
连接形式	螺纹式, 焊接式, 法兰式, 快装式

## 气动快装角座阀

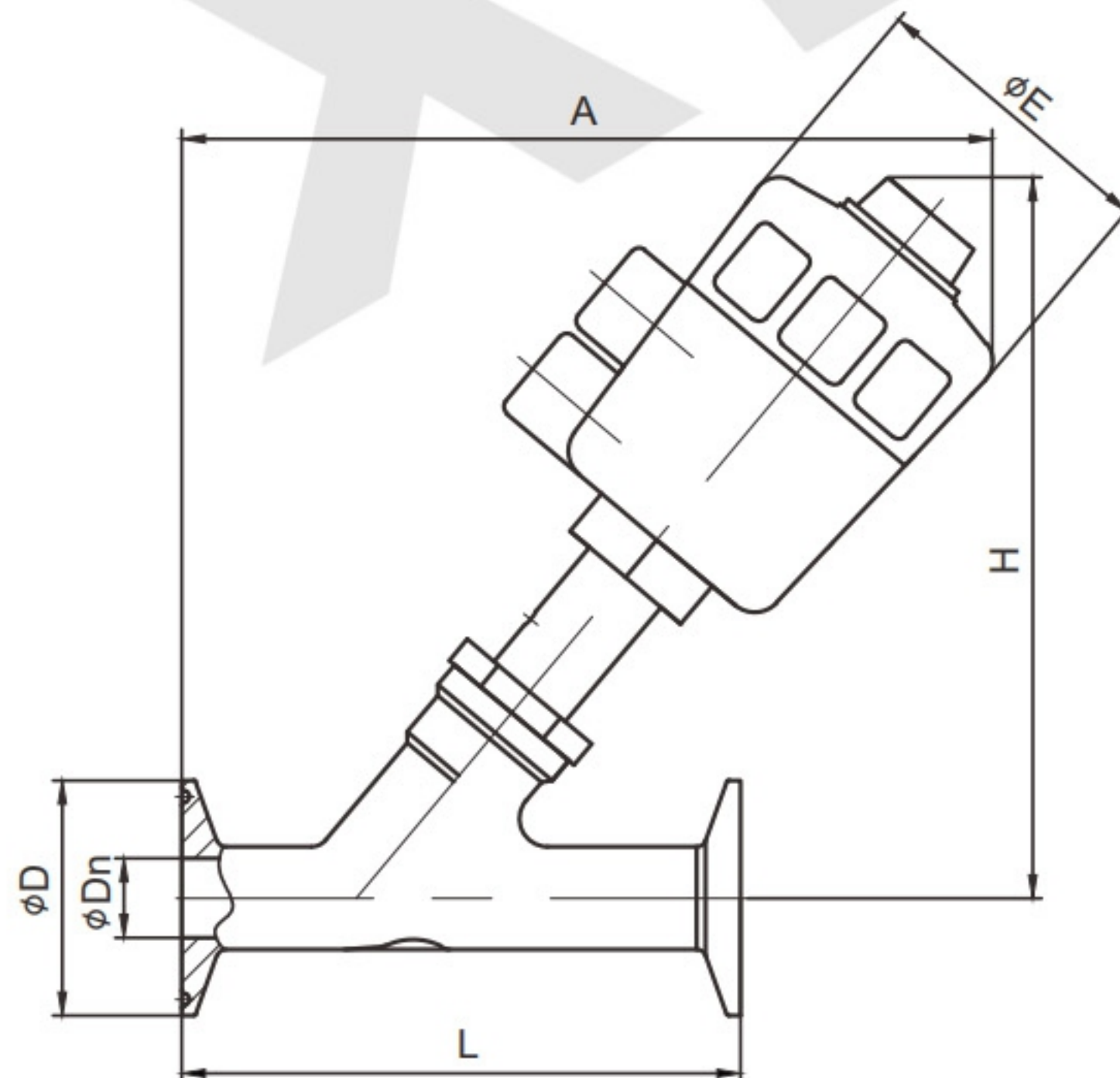
PNEUMATIC QUICK INSTALLATION ANGLE SEAT VALVE



气动快装不锈钢角座阀

Pneumatic Quick Installation Stainless Steel Angle Seat Valve

Size	L	d	C	A	H	E	Actuator
DN15	120	15.5	22	160	145	62	50
DN20	140	19	24	170	148	62	50
DN25	160	22.5	28.5	185	157	62	50
DN32	175	28.5	35	226	195	76	63
DN40	190	35	43.5	230	200	76	63
DN50	210	48	57.5	240	225	96	80
DN65	225	60	71.5	330	310	96	80



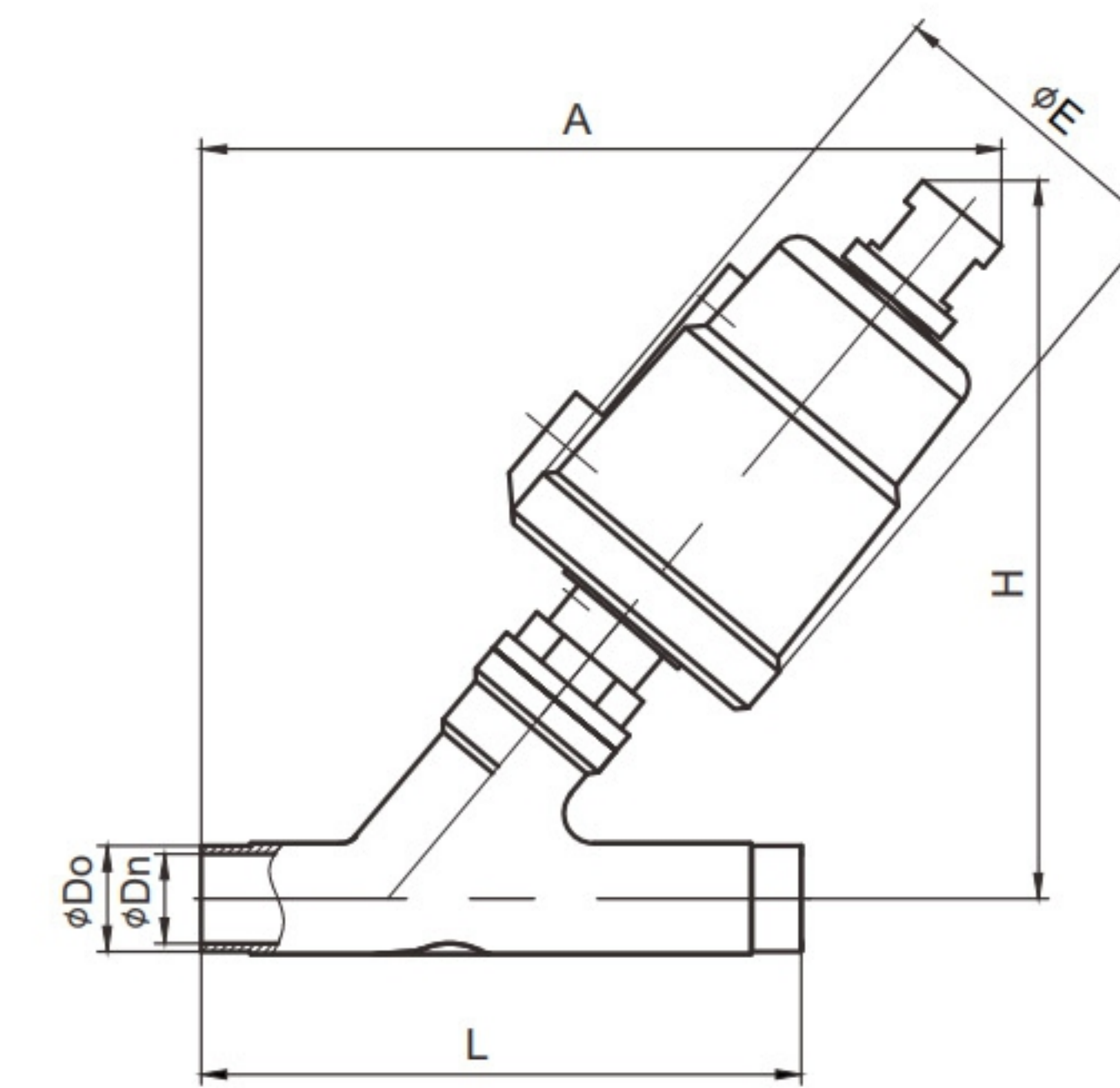
气动快装塑料角座阀

Pneumatic quick-install plastic angle seat valve

Size	L	Dn	D	A	H	E	Actuator
DN15	120	15.8	50.5	170	155	64	50
DN20	140	19	50.5	178	158	64	50
DN25	160	22.1	50.5	210	188	80	63
DN32	175	28.5	50.5	235	202	80	63
DN40	190	34.8	50.5	267	238	80	63
DN50	210	47.5	64.0	270	240	100	80
DN65	225	59.5	77.5	288	265	100	80

## 气动焊接角座阀

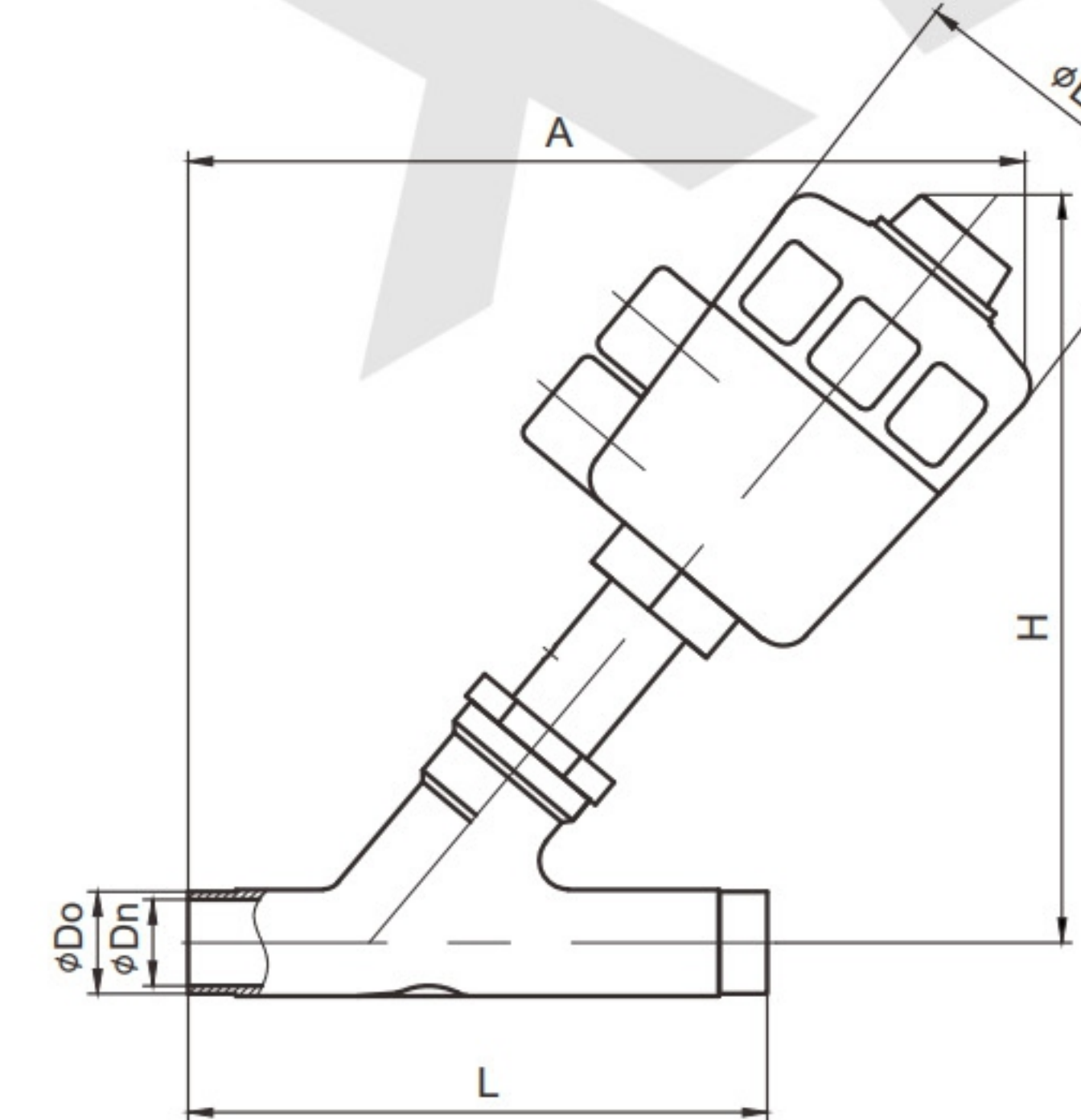
PNEUMATIC WELDED ANGLE SEAT VALVE



气动焊接不锈钢角座阀

Pneumatic Welded Stainless Steel Angle Seat Valve

Size	L	Dn	Do	A	H	E	Actuator
DN15	120	15.8	19.1	160	145	62	50
DN20	140	19	22	170	148	62	50
DN25	160	22.1	25.4	185	157	62	50
DN32	175	28.5	31.8	226	195	76	63
DN40	190	34.8	38.1	230	200	76	63
DN50	210	47.5	50.8	240	225	96	80
DN65	225	59.5	63.5	330	310	96	80



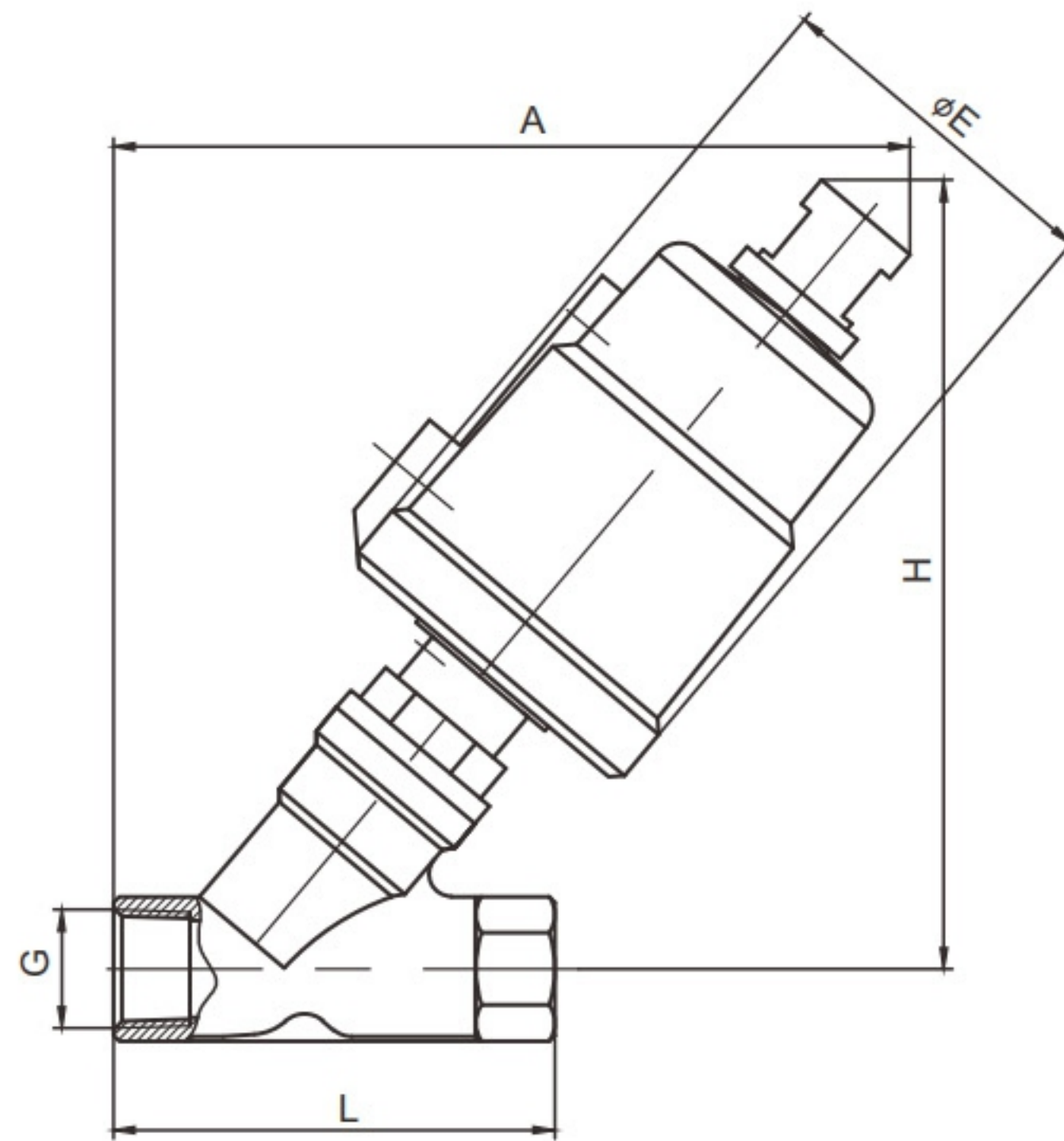
气动焊接塑料角座阀

Pneumatic Welded Plastic Angle Seat Valve

Size	L	Dn	Do	A	H	E	Actuator
DN15	120	15.8	19.1	170	155	64	50
DN20	140	19	22	178	158	64	50
DN25	160	22.1	25.4	210	188	80	63
DN32	175	28.5	31.8	235	202	80	63
DN40	190	34.8	38.1	267	238	80	63
DN50	210	47.5	50.8	270	240	100	80
DN65	225	59.5	63.5	288	265	100	80

## 气动螺纹角座阀

PNEUMATIC THREADED ANGLE SEAT VALVE

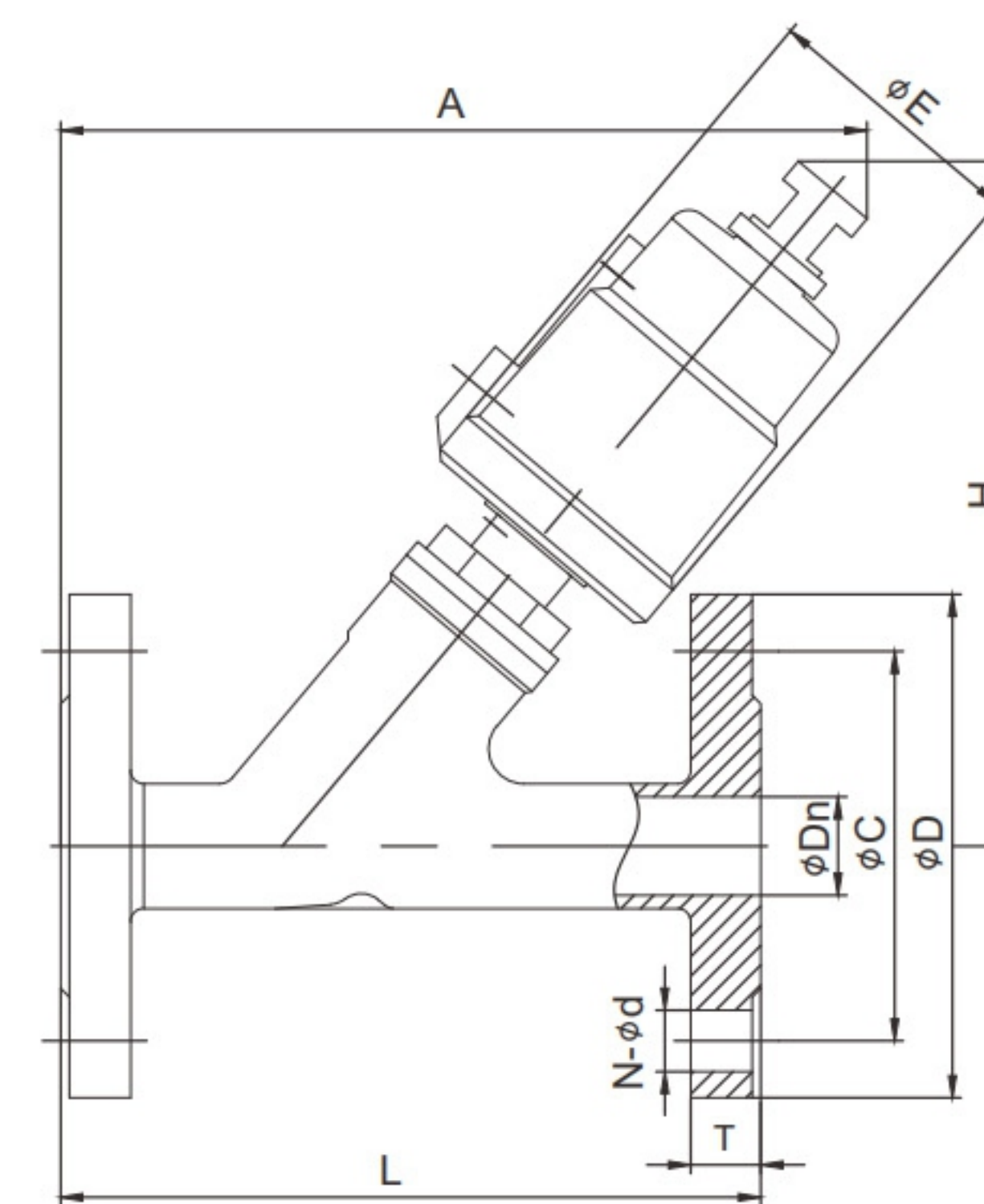


气动螺纹不锈钢角座阀  
Pneumatic Threaded Stainless Steel Angle Seat Valve

Size	L	G	A	H	E	Actuator
DN15	78	1/2"	142	140	62	50
DN20	85	3/4"	148	142	62	50
DN25	95	1"	158	148	62	50
DN32	116	1.25"	198	188	76	63
DN40	120	1.5"	200	192	76	63
DN50	140	2"	210	205	96	80
DN65	185	2.5"	256	235	96	80

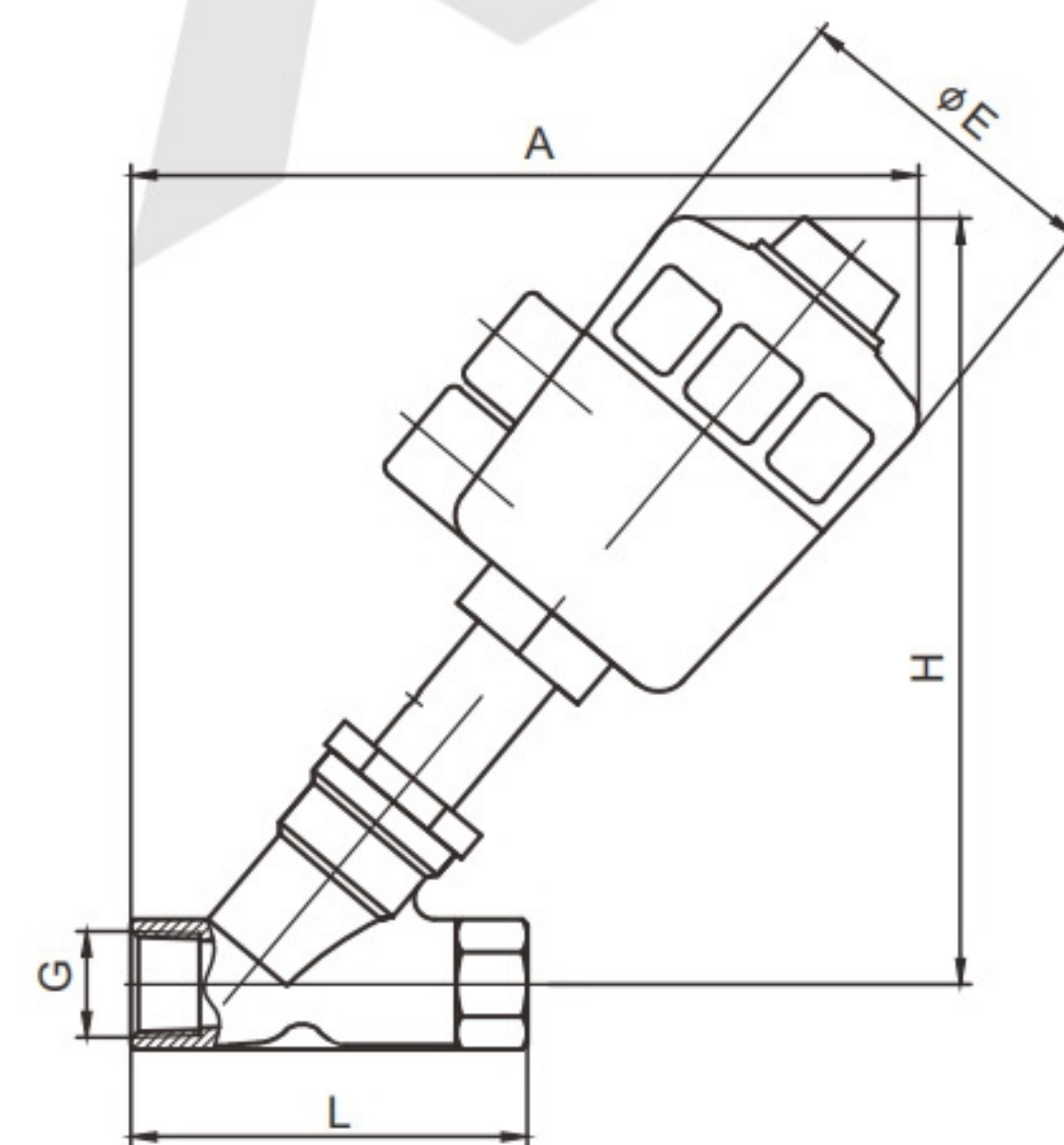
## 气动法兰角座阀

PNEUMATIC FLANGE ANGLE SEAT VALVE



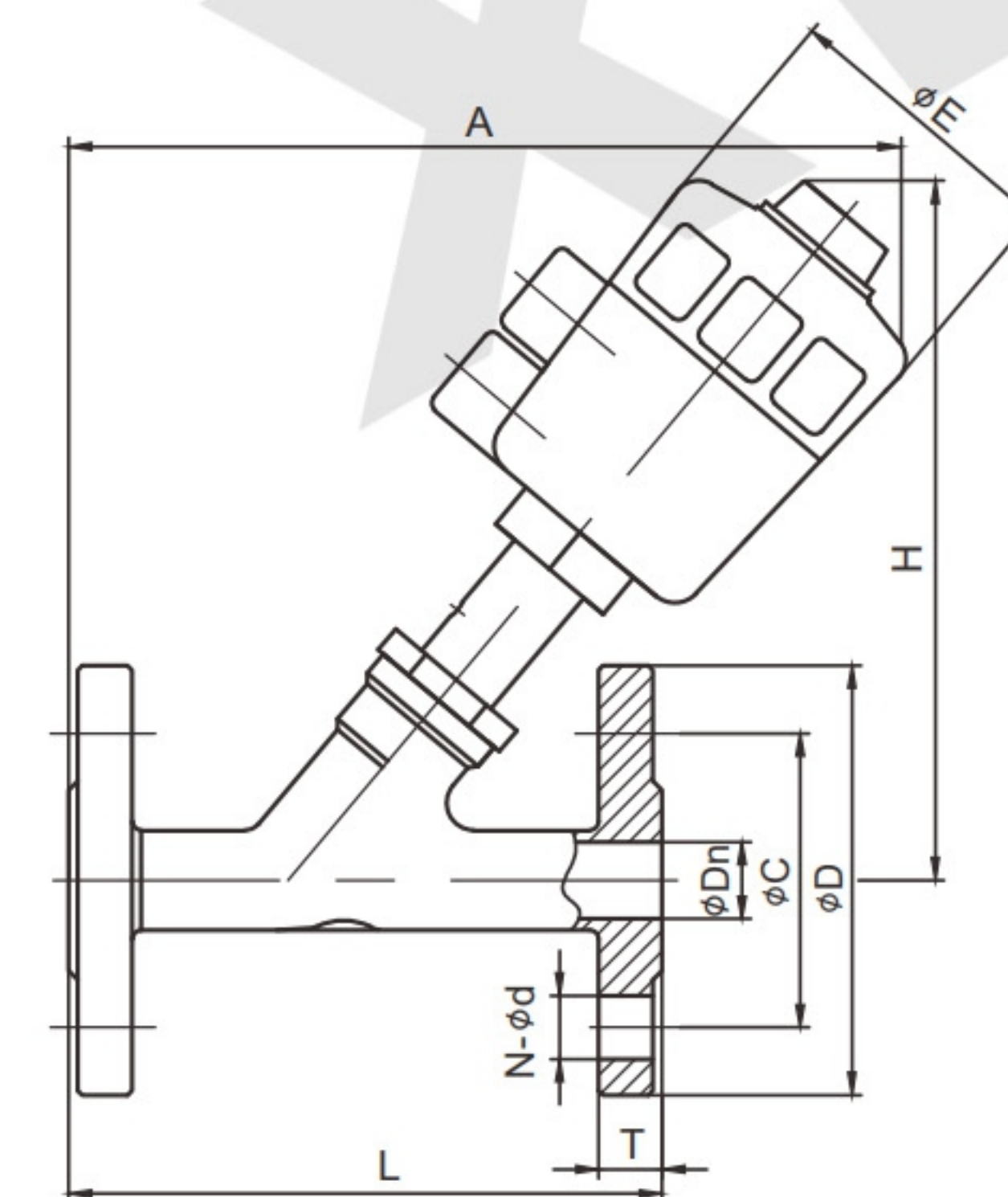
气动法兰不锈钢角座阀  
Pneumatic Flange Stainless Steel Angle Seat Valve

Size	L	T	Dn	D	C	A	H	E	N- $\phi d$	Actuator
DN15	120	14	16	95	65	160	145	62	4- $\phi 14$	50
DN20	140	14	19	105	75	170	148	62	4- $\phi 14$	50
DN25	160	14	25	115	85	185	157	62	4- $\phi 14$	50
DN32	175	16	29	140	100	226	195	76	4- $\phi 18$	63
DN40	190	16	37	150	110	230	200	76	4- $\phi 18$	63
DN50	210	16	49	165	125	240	225	96	4- $\phi 18$	80
DN65	225	18	66	185	145	330	310	96	4- $\phi 18$	80



气动螺纹塑料角座阀  
Pneumatic Threaded Plastic Angle Seat Valve

Size	L	G	A	H	E	Actuator
DN15	78	1/2"	150	150	62	50
DN20	85	3/4"	156	152	62	50
DN25	95	1"	185	180	76	63
DN32	116	1.25"	205	195	76	63
DN40	120	1.5"	208	200	76	63
DN50	140	2"	212	198	96	80
DN65	185	2.5"	232	265	96	80



气动法兰塑料角座阀  
Pneumatic Flange Plastic Angle Seat Valve

Size	L	T	Dn	D	C	A	H	E	N- $\phi d$	Actuator
DN15	120	14	16	95	65	170	155	64	4- $\phi 14$	50
DN20	140	14	19	105	75	178	158	64	4- $\phi 14$	50
DN25	160	14	25	115	85	210	188	80	4- $\phi 14$	63
DN32	175	16	29	140	100	235	202	80	4- $\phi 18$	63
DN40	190	16	37	150	110	267	238	80	4- $\phi 18$	63
DN50	210	16	49	166	125	270	240	100	4- $\phi 18$	80
DN65	225	18	66	185	145	288	265	100	4- $\phi 18$	80

## 角座阀智能配置

### INTELLIGENT CONFIGURATION OF ANGLE SEAT VALVE



#### 磁感应开关系列

适用于所有口径角座阀,用来检测阀门开关状态,反馈阀门启闭信号。

#### PROXIMITY SWITCH

Switch can be installed on every actuator, indicating the valve on-off with signal.

#### 技术参数

##### TECHNICAL PARAMETERS

电 压:	10-30V DC
防护等级:	IP67
检测距离:	3MM±10%(可另选)
环境温度:	-10°C-60°C
材 料:	壳体: 黄铜镀镍 检测面: ABS

#### 电磁阀系列

适用于所有口径角座阀,可接2位5通或2位3通电磁阀。

#### SOLENOID VALVE

Applicable to angle seat valves of all sizes, and can be connected to 2-position 5-way or 2-position 3-way solenoid valves.

#### 技术参数

##### TECHNICAL PARAMETERS

使用流体:	空气(经40微米滤芯过滤)
接 口:	G1/8"
使用电源:	24V DC或220V AC
使用压力:	0.15-0.8 MPa
工作温度:	-5~50°C
防护等级:	IP65

#### 手动操作行程限位系列

可调节活塞开度,限制行程,调节阀门流量,适用于所有型号的角座阀,另外在无控制气源、机械(电磁)故障时还可用来紧急制动。

#### MANUAL OVERRIDE FOR STROKE ACTUATOR

Can adjust piston stroke, restrictions, regulating valves, applicable to all types traffic block valves, another horn of air, without control in mechanical (electromagnetic) failure can also be used to emergency braking.

#### 技术参数

##### TECHNICAL PARAMETERS

手轮材质:	压铸铝
控制形式:	单作用常闭
适用范围:	50/63/90缸

## 角座阀智能配置

### INTELLIGENT CONFIGURATION OF ANGLE SEAT VALVE

#### 特点

- 1.调节方便,操作简单;
- 2.运行稳定;
- 3.独特的调节锥设计,建立了阀门开闭行程和流量的线性或等比例的变化关系,从而实现精确快速的流量调节功能;

#### FEATURES

1. Convenient adjustment and simple operation;
2. Stable operation;
3. The unique regulating cone design establishes a linear or proportional relationship between the valve opening and closing stroke and the flow rate, thereby achieving accurate and rapid flow adjustment function;

#### 工作原理

阀门定位器从控制器或控制系统接收4-20mA(0-5/10V)的电流信号,通过处理器转换成气信号,控制阀门开度,并与阀门调节锥共同实现阀门的在线精确流量调节。

#### WORKING PRINCIPLE

The valve positioner receives a 4-20mA (0-5/10V) current signal from the controller or control system, converts it into a gas signal through the processor, controls the valve opening, and works with the valve adjustment cone to achieve online precise flow adjustment of the valve.

#### 技术参数

##### TECHNICAL PARAMETERS

连接形式:	螺纹式、焊接式、快装式、法兰式
介质温度:	-10°C—+180°C(PTFE常温型)、+25°C—+220°C(PTFE高温型)
环境温度:	-10°C—60°C
工作压力:	参见比例调节角座阀安装选型表
控制压力:	4—7bar(58-102psi)
工作电压:	24VDC
阀门设定信号:	0/4—20mA或0—5/10V
功耗:	<10W
设定信号输入阻抗:	0/4—20mA信号时240Ω、0—5/10V信号时21KΩ
模拟输出信号:	0/4—20mA时最大负载560Ω、0—5/10V时最大电流10mA
防护等级:	IP65
防爆等级:	Ex nA IIC T4

#### 双位反馈器系列

适用于所有口径的角座阀,检测阀门开关状态,反馈阀门启闭信号。

#### DOUBLE POSITION FEEDBACK DEVICE SERIES

Applicable to angle seat valves of all sizes, detecting valve switching status and feeding back valve opening and closing signals.

#### 技术参数

##### TECHNICAL PARAMETERS

工作压力:	DC12V~DC36V (机械式)/DC12V~DC30V (无触点式)
工作电流:	MAX.300mA (机械触点式)/ MAX.100mA (无触点式)
指示灯:	直观反应阀门启闭状态
环境温度:	-10°C—60°C
环境湿度:	≤90%RH
防护等级:	IP65
防爆等级:	Ex nA IIC T4
壳体材质:	PA6-GF30+PC
开关方式:	机械触点式/磁感无触点式
输出选择:	0S2-四线PNP/四线NPN/三线PNP 0S3-多输出/无触点
电气原理:	参照双位反馈器
接线方式:	旋开透明盖,将电缆从电缆口穿入,并连接到需求的端子上。