

# SANITARY BALL VALVE

## 卫生级球阀



## 三片式无滞留球阀

### THREE-PIECE NON-RETENTION BALL VALVE

#### 应用 / APPLICATIONS

- 广泛用于食品、酿酒、饮料、乳制品、精细化工、制药及生物工程等众多行业。
- Widely used in food, wine, beverages, dairy products, fine chemicals, pharmaceuticals and health Materials engineering and many other industries.

#### 工作原理 / OPERATING PRINCIPLES

- 通过执行机构驱动阀杆90°旋转，带动有贯通腔的精确制造的球体，以便开启或关闭阀门，从而实现控制介质流量。
- Driven by the actuator stem 90° rotation, drive the precise manufacturing ball body which with through cavity, turn on or off, so that can control the medium flow.

#### 技术标准 / TECHNICAL STANDARDS

- 要求零死角，零滞留
- 设计制造按 GB/T12237-2007 的标准规定
- 结构长度按 GB/T12221-2005 的标准规定
- 连接卡箍、焊接按 DIN、ISO
- 温压等级按 GB/T 12224-2005 的标准规定
- 检验和试验按 GB/T 26480 的标准规定
- Request non-retention
- Designed and manufactured according to GB/T12237-2007 standard requirements
- Length of the structure according to GB/T12221-2005 standard requirements
- Connection clamp, welding by DIN, ISO
- Temperature and pressure level according to GB/T 12224-2005 standard requirements
- Inspection and test according to GB/T 26480 standard requirements

#### 技术数据 / TECHNICAL DATA

- 最大产品压力: 1600kpa(16bar)
- 最小产品压力: 完全真空
- 建议的制动过程中的最大压力: 600kpa(6bar)
- 操作方式: 手动、气动、电动
- 最大消毒温度, 短时间: +200°C



三片式全包球阀  
Three piece fully enclosed ball valve



三片式衬氟球阀  
Three piece fluorine lined ball valve

#### 材料 / MATERIALS

- 产品过流钢制部件: 304/316L
- 其他钢质部件: 304
- 过流部件表面粗糙度:  $Ra \leq 0.4\mu m$
- 外表面处理: 电解
- 气动头外表面粗糙度: 亚光
- 接触输送物料的密封件: PTFE, EPDM
- 其他密封件: PTFE, NBR
- Product wetted steel parts: 304/316L
- Other steel parts: 304
- Flow components of surface roughness:  $Ra \leq 0.4\mu m$
- Surface treatment: Electrolytic
- Pneumatic head outer surface roughness: matt
- Wetted seals: PTFE, EPDM
- Other Seals: PTFE, NBR
- Maximum product pressure: 1600kpa (16bar)
- Minimum product pressure: full vacuum
- Recommended maximum pressure during braking: 600kpa (6bar)
- Operating modes: manual, pneumatic, electric
- Maximum sterilization temperature, short time: + 200 °C



## 比例调节三片式球阀

### PROPORTIONAL ADJUSTMENT THREE PIECE BALL VALVE



调节三片式球阀 (机械型)  
Adjusting the three piece ball valve (mechanical type)



调节三片式球阀 (智能型)  
Adjusting the three piece ball valve (intelligent type)

#### 技术参数

##### TECHNICAL PARAMETERS

项目	数据
阀体材质	304、316L、2205、904L、哈斯合金、钛合金
密封结构	全包密封、半包密封、阀体内衬四氟
密封材料	PTFE(日本大金、美国3M、杜邦、国内A级材料等)
使用温度	-10°C至150°C, 高低温需要定制密封件
驱动选配	手动执行器、手动涡轮执行器、TA铝制执行器(单作用、双作用)、 电动执行器、机械式定位调节型、智能式定位调节型
三联件	反馈信号、电池阀、过滤器、防爆反馈信号、隔爆反馈型号、 防爆电池阀、隔爆电池阀、防爆减压阀等
表面处理	表面CNC加工Ra0.8μm, 抛光Ra0.4μm, 电子抛光可以达到Ra0.25μm



气动三片式球阀 (防爆型)  
Pneumatic three piece ball valve (explosion-proof type)

#### 直通无滞留球阀扭矩表, 单位 (N.M)

##### TORQUE TABLE FOR STRAIGHT THROUGH NON HYSTERESIS BALL VALVE, UNIT (N.M)

SIZE	1"-3/4"	DN25/1"	DN32-1 1/4"	DN40/1.5"	DN50/2"	2.5"-DN65	3"	DN80	4"-DN100
扭矩	6	10	12	14	20	40	75	90	110

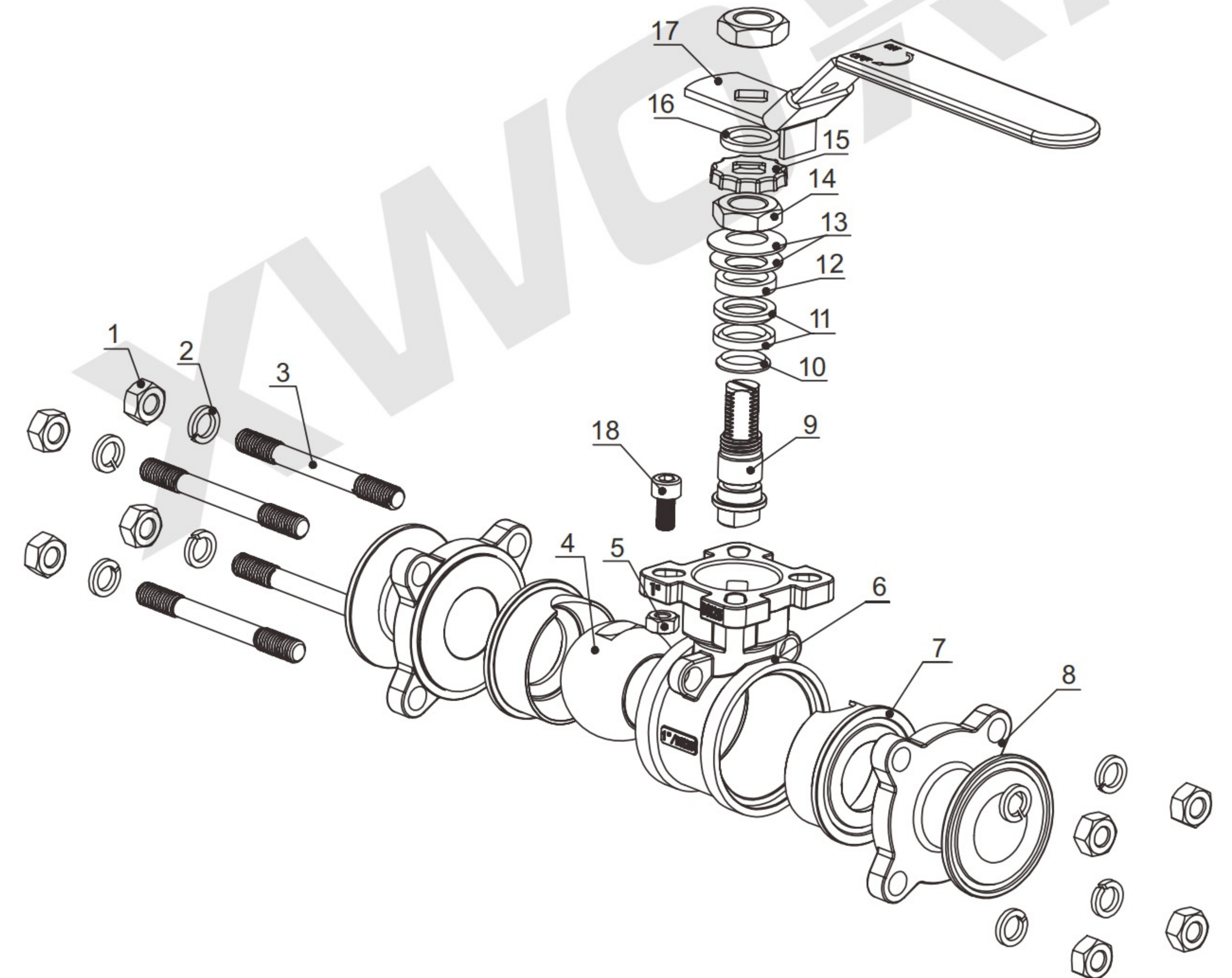
•选择执行器时建议增加 20% 安全余量

Advice: increasing 20% Safety Margin When Selecting Actuators

## 三片式无滞留球阀爆炸图

### EXPLOSIVE VIEW OF THREE-PIECE NON-RETENTION BALL VALVE

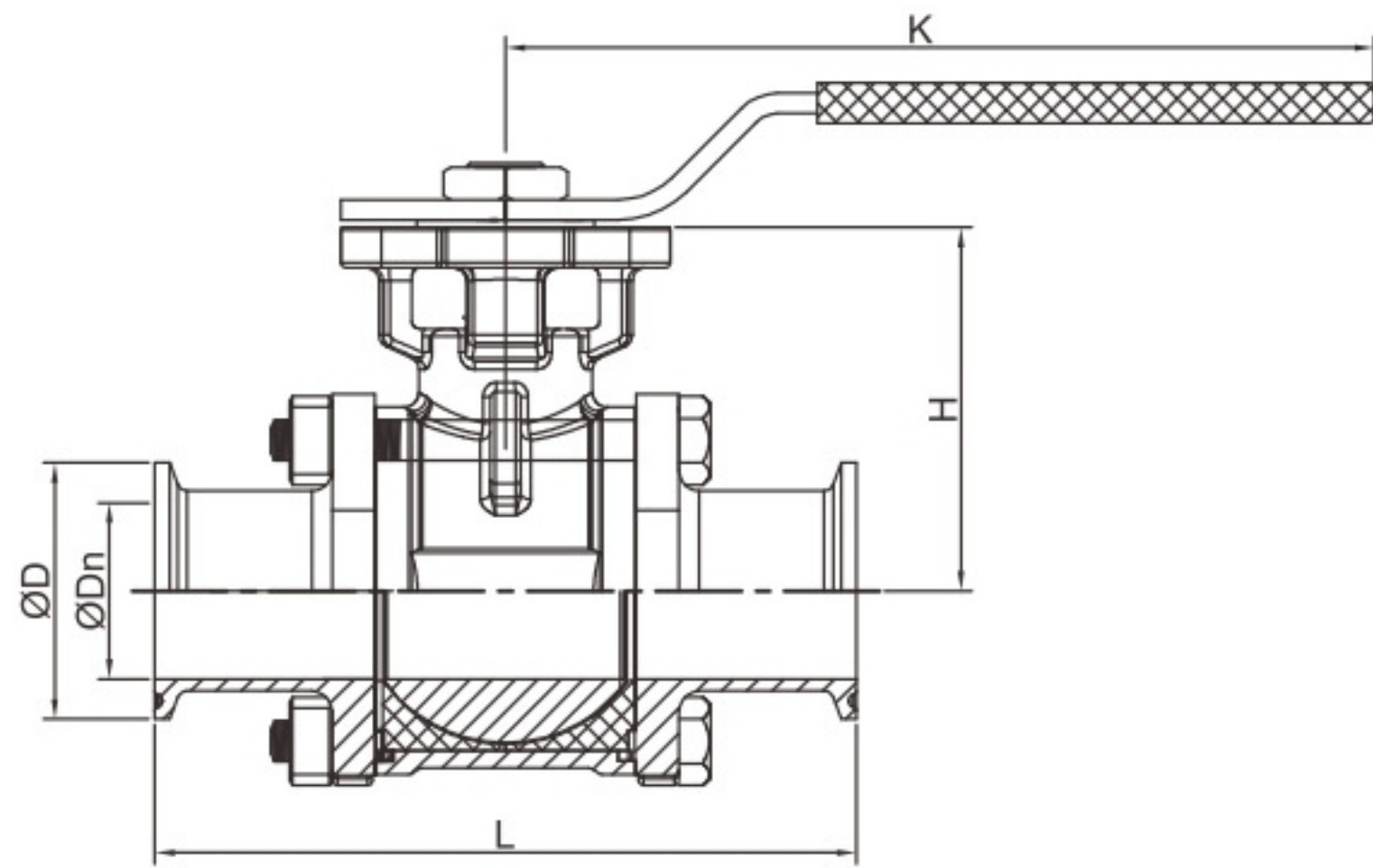
序号 NO	名称 SPARE NAME	数量 QTY	材料 MATERIAL	备注 NOTE	序号 NO	名称 SPARE NAME	数量 QTY	材料 MATERIAL	备注 NOTE
1	螺母Hex nut	8	A2-70	2.5"以上12个 12 pcs for valve size above 2.5"	10	薄型密封垫 Washer gasket	1	PTFE	
2	弹性垫圈 Elastic ring	8	A2-70	2.5"以上12个 12 pcs for valve size above 2.5"	11	V型密封圈组件 V-seal components	2	PTFE	
3	螺栓Bolt	4	A2-70	2.5"以上12个 12 pcs for valve size above 2.5"	12	垫圈 Gasket	1	PTFE	
4	球阀Valve body	1	304/316L		13	弹簧垫Spring gasket	2	A2-70	
5	六角螺母Hex nut	1	A2-70		14	螺母Hex nut	2	A2-70	
6	阀体Valve body	1	304/316L		15	止动圈Spring washer	1	A2-70	
7	阀座Seat	2	PTFE		16	垫片Gasket	1	A2-70	
8	阀盖Valve cap	2	304/316L		17	手柄Pull handle	1	304	
9	阀杆Valve body	1	304/316L		18	内六角螺栓 Hex nut	1	A2-70	





**3A 卡箍三片式球阀**

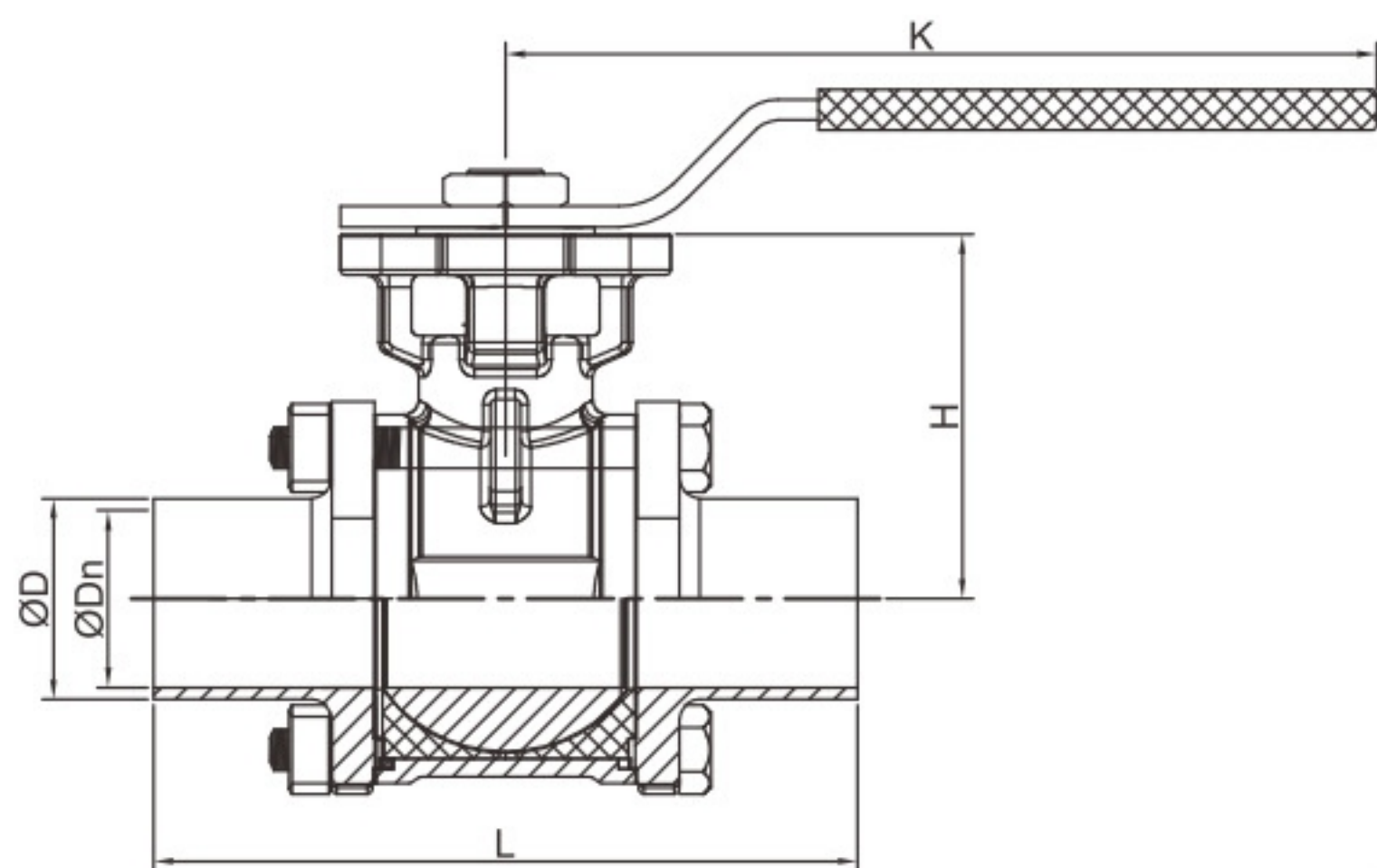
3A clamp three piece ball valve



SIZE	D	Dn	L	K	H
1/2"	25.2	9.4	89	130	38
3/4"	25.2	15.8	101	130	42.5
1"	50.5	22.1	114	165	52.5
1 1/4"	50.5	28.5	124	165	58.5
1 1/2"	50.5	34.8	140	215	73
2"	64	47.5	156	215	78.5
2 1/2"	77.5	60.2	197	215	95
3"	91	72.9	229	320	111
3.5"	106	85	229	320	111
4"	119	97.6	241	320	122.5
5"	155	122	300	500	170
6"	167	146.8	320	500	186

**3A 焊接三片式球阀**

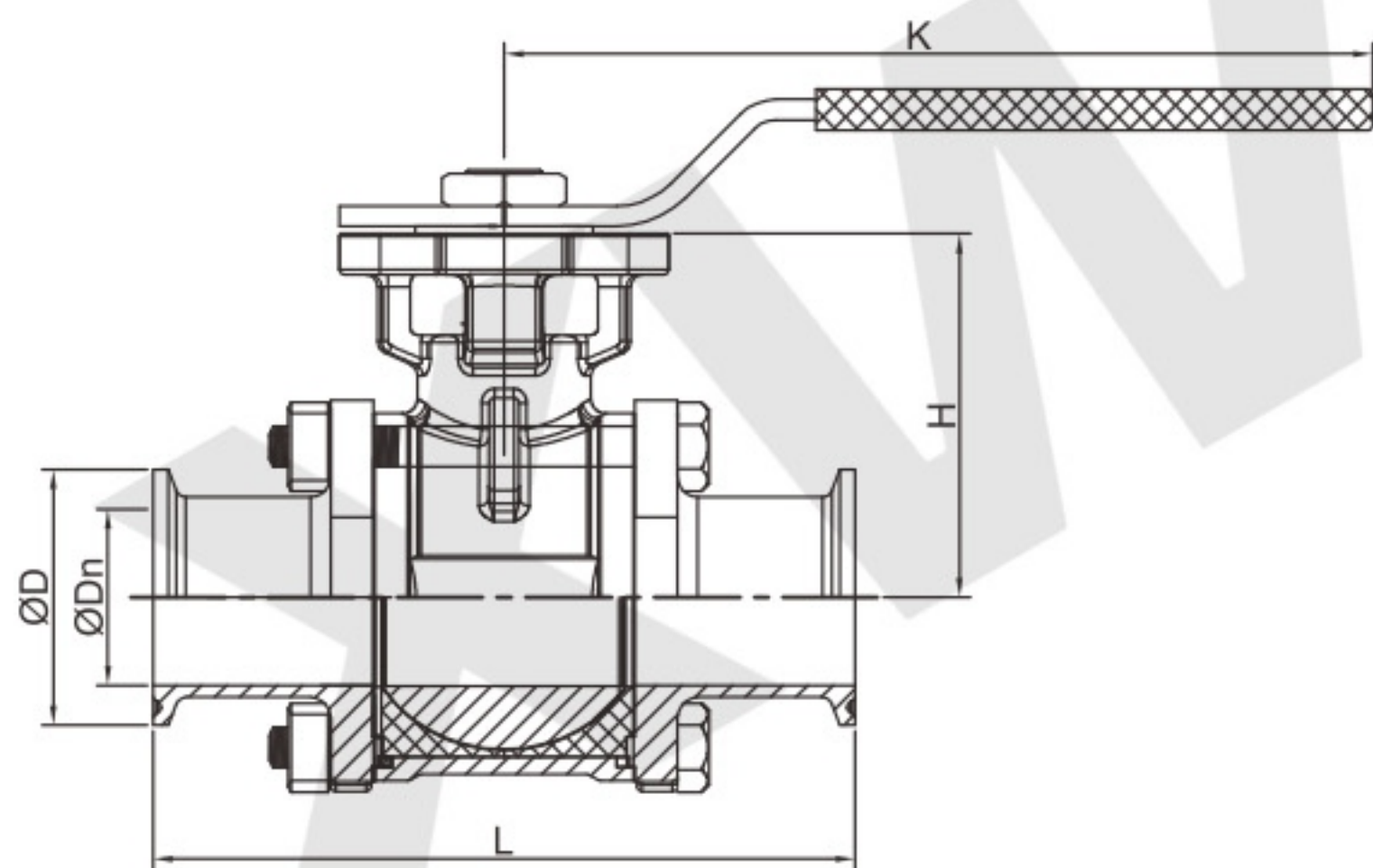
3A welded three piece ball valve



SIZE	D	Dn	L	K	H
1/2"	12.7	9.4	89	130	38
3/4"	19.1	15.8	101	130	42.5
1"	25.4	22.1	114	165	52.5
1 1/4"	31.8	28.5	124	165	58.5
1 1/2"	38.1	34.8	140	215	73
2"	50.8	47.5	156	215	78.5
2 1/2"	63.5	60.2	197	215	95
3"	76.2	72.9	229	320	111
3.5"	89	85	229	320	111
4"	101.6	97.6	241	320	122.5
5"	127	122	285	500	170
6"	152.4	146.8	312	500	186

**DIN 卡箍三片式球阀**

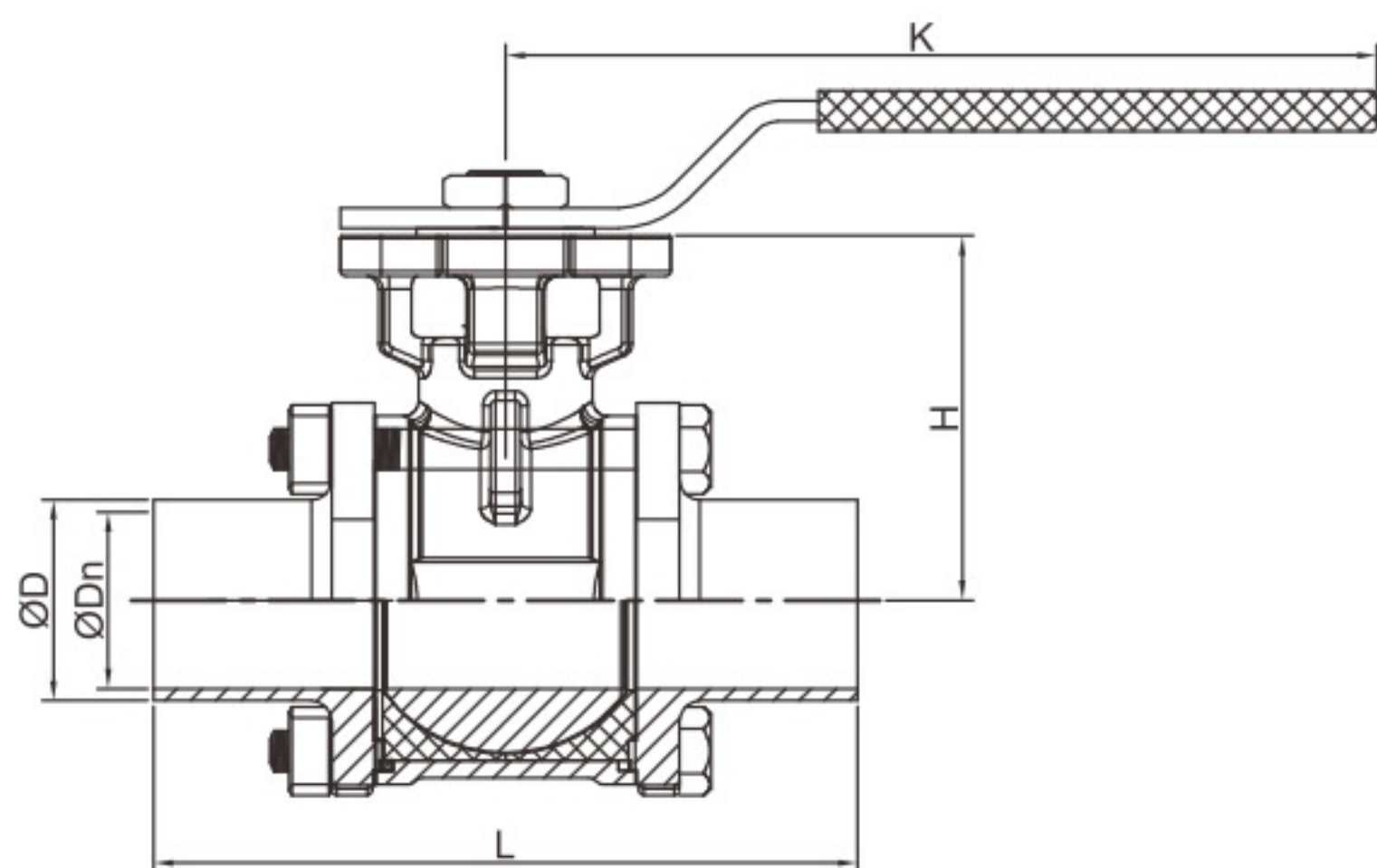
DIN clamp three piece ball valve



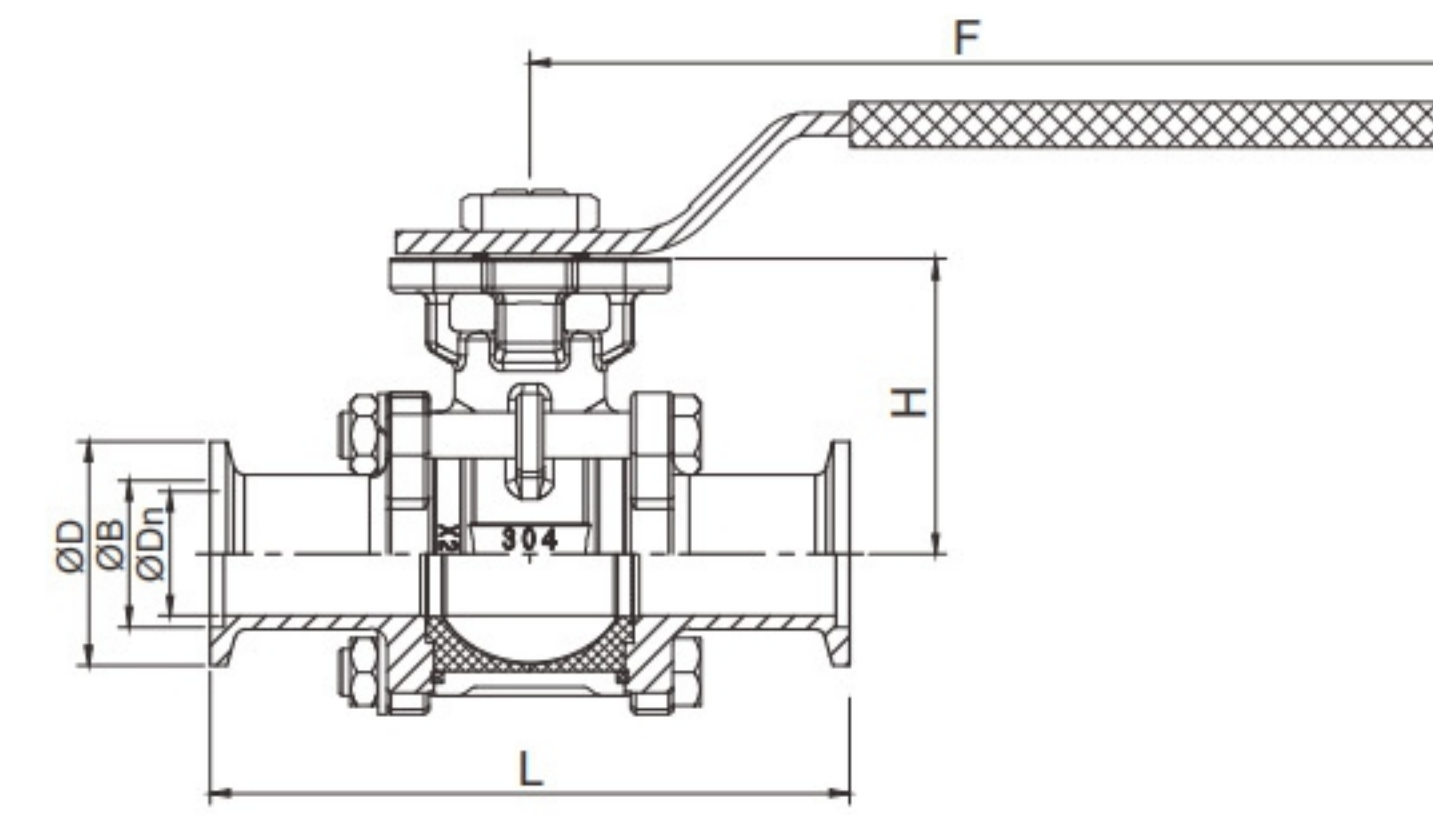
SIZE	D	Dn	L	K	H
DN10	34	10	89	130	38
DN15	34	15	101	130	42.5
DN20	34	19	101	130	42.5
DN25	50.5	25	114	165	52.5
DN32	50.5	31	124	165	58.5
DN40	50.5	37	140	215	73
DN50	64	49	156	215	78.5
DN65	91	66	197	215	95
DN80	106	81	229	320	111
DN100	119	100	241	320	122.5
DN125	155	125	300	500	170
DN150	183	150	320	500	186

**DIN 焊接三片式球阀**

DIN welded three piece ball valve



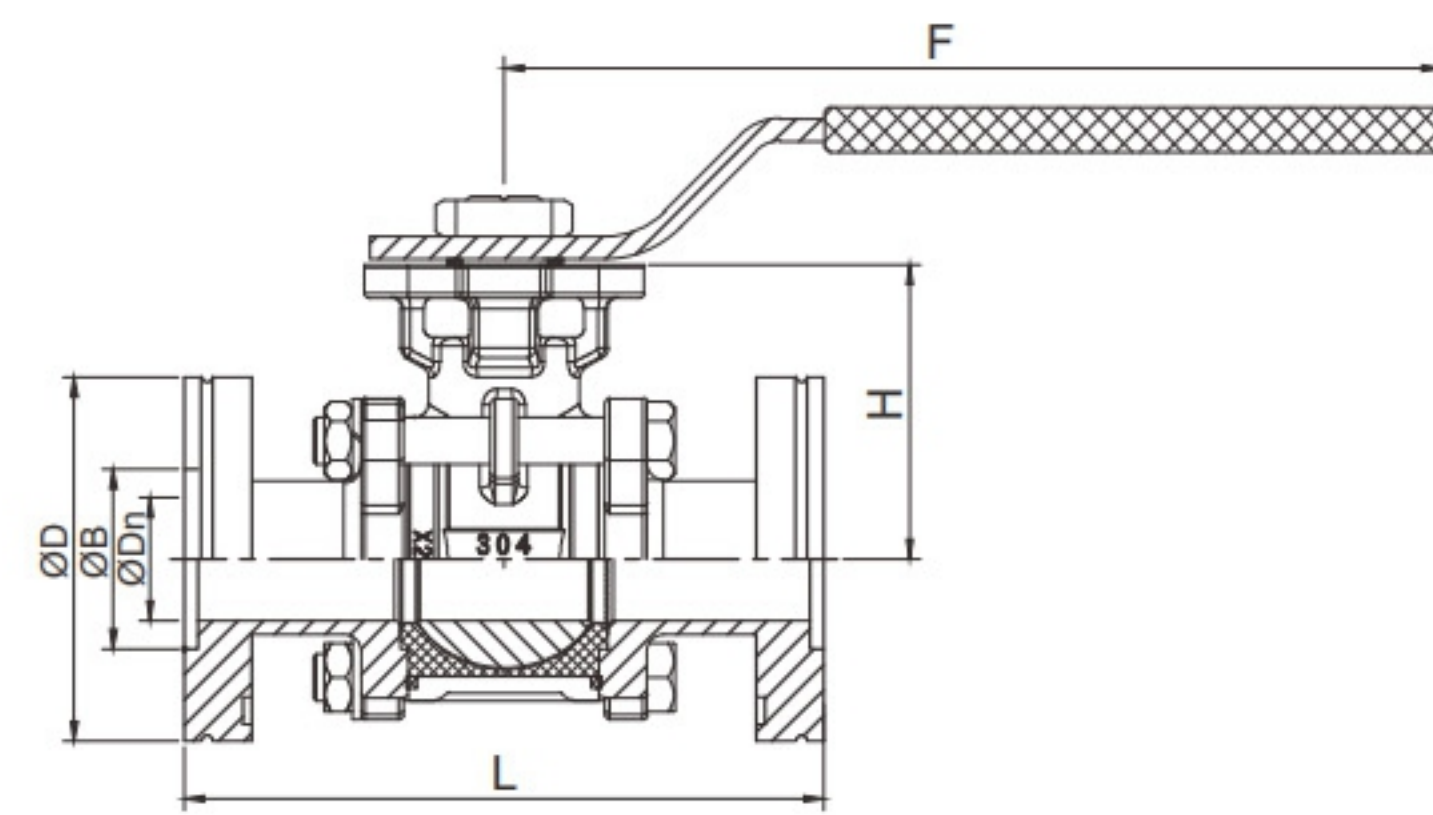
SIZE	D	Dn	L	K	H
DN10	12/13	9/10	89	130	38
DN15	18/19	15/16	101	130	42.5
DN20	22/23	19/20	101	130	42.5
DN25	28/29	25/26	114	165	52.5
DN32	34/35	31/32	122	165	58.5
DN40	40/41	37/38	140	215	73
DN50	52/53	49/50	156	215	78.5
DN65	70	66	197	215	95
DN80	85	81	229	320	111
DN100	104	100	241	320	122.5
DN125	129	125	300	500	170
DN150	154	150	320	500	186



**真空三片式球阀**

Vacuum three piece ball valve

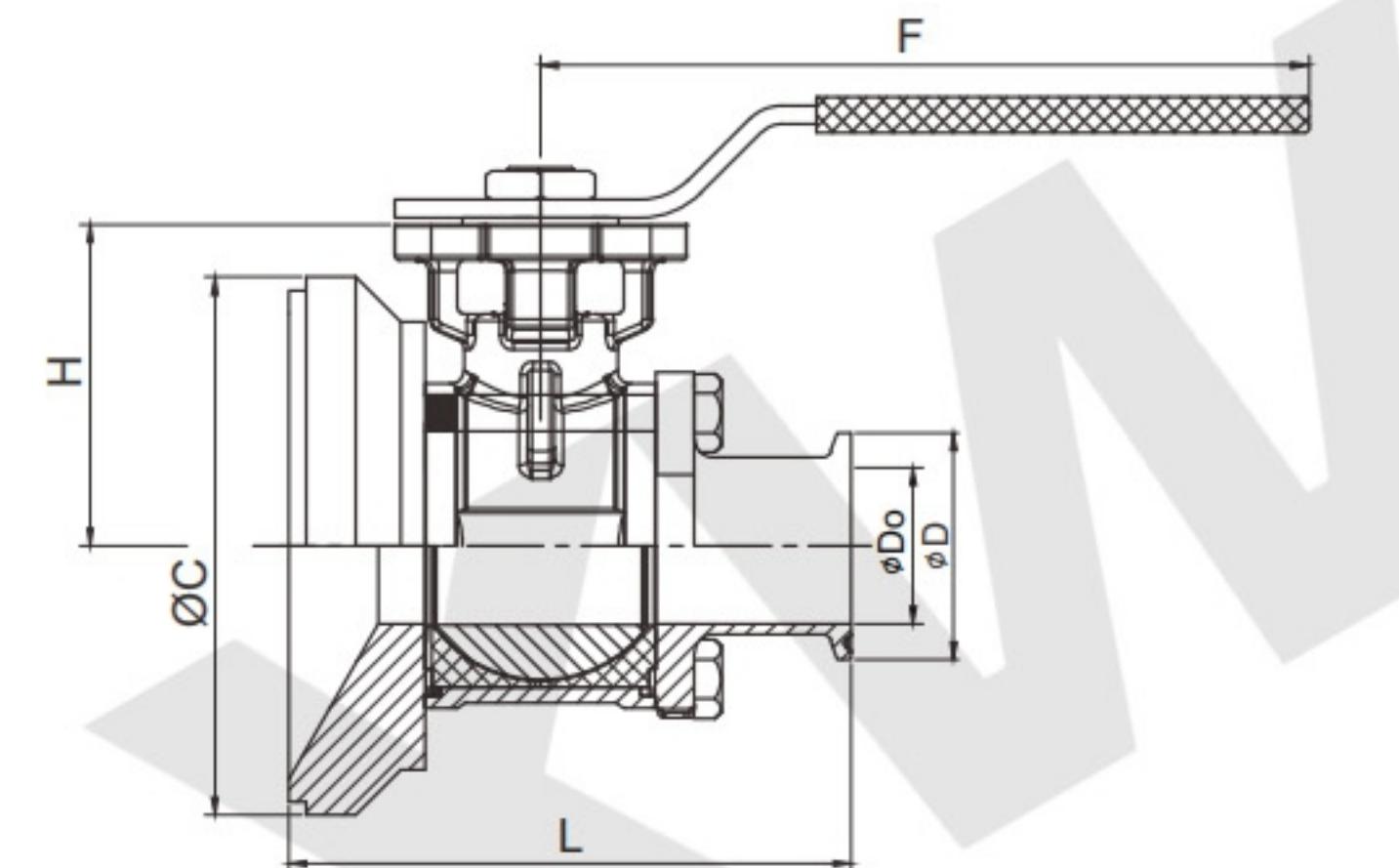
SIZE	D	B	Dn	L	F	H
KF-16	30	17.2	15.8	101	126	53
KF-25	40	26.2	22.1	114	170	73
KF-40	55	41.2	34.8	140	220	79
KF-50	75	52.2	47.5	156	220	95
KF-63	87	70.2	60.2	197	220	95



**真空法兰三片式球阀**

Vacuum flange three piece ball valve

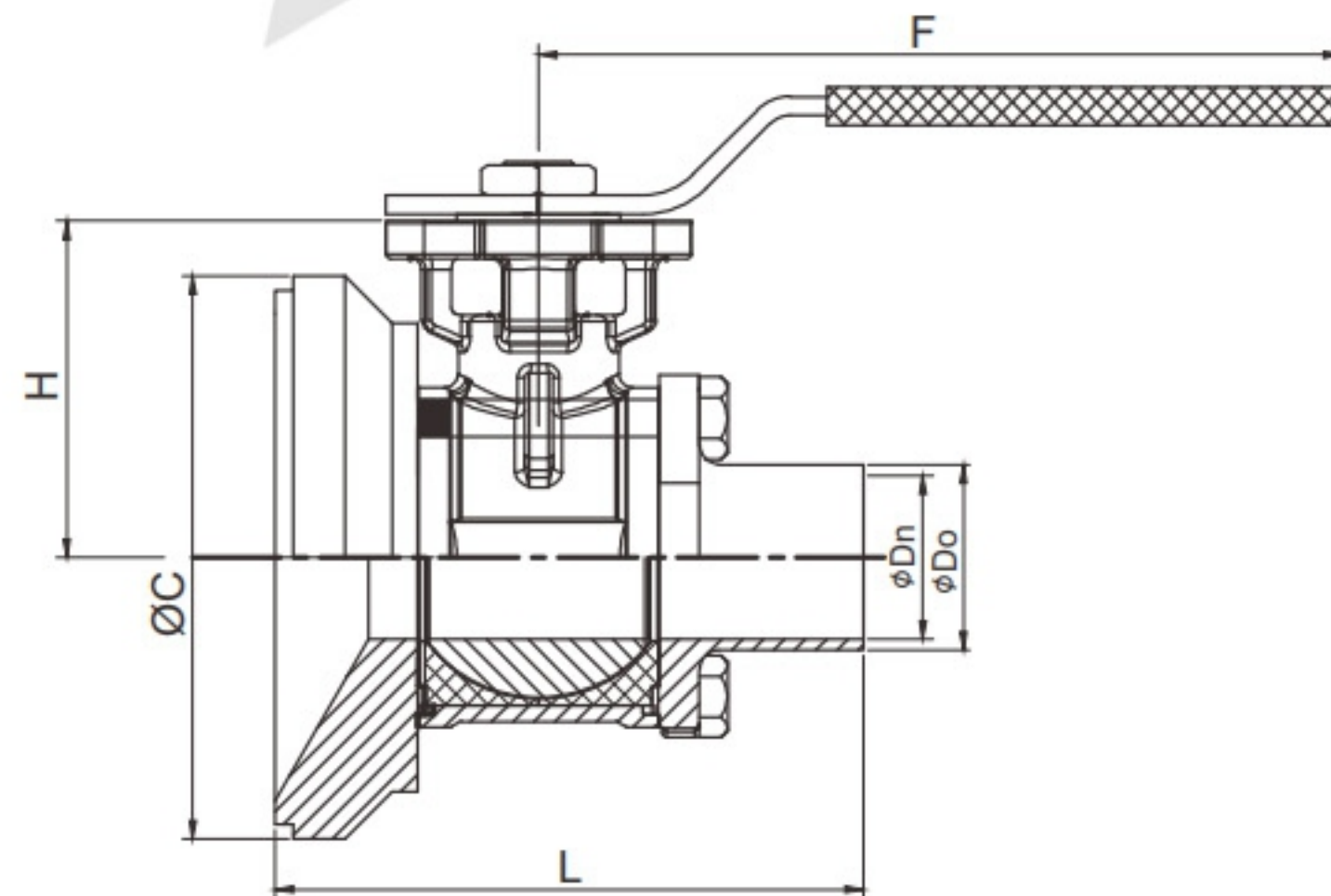
SIZE	Dn	D	B	L	F	H
2.5"	60	95	70	155	220	95
3"	72.9	110	83	176	325	111
4"	97.6	130	102	210	325	123



**快装三片式罐底球阀**

Triclamp Three Piece Tank Bottom Ball Valve

SIZE	Dn	D	C	L	F	H
1"	22.1	50.5	90	106	170	53
1.5"	34.8	50.5	120	125	220	73
2"	47.5	64	150	140	220	79
2.5"	60.2	77.5	180	155	220	95
3"	72.9	91	212	176	325	111
4"	97.4	119	248	210	325	123



**焊接三片式罐底球阀**

Welded Three Piece Tank Bottom Ball Valve

SIZE	Dn	Do	C	L	F	H
1"	22.1	25.4	90	106	170	53
1.5"	34.8	38.1	120	125	220	73
2"	47.5	50.8	150	140	220	79
2.5"	60.2	63.5	180	155	220	95
3"	72.9	76.2	212	176	325	111
4"	97.4	101.6	248	210	325	123



## 新型直通球阀

### NEW STRAIGHT BALL VALVE

#### 应用 / APPLICATIONS

- 该型是一款卫生型球阀,可用于物料输送。这种阀门的应用范围包括食物, 饮料加工, 以及制药和化学工业等领域。
- 完全贯通的阀门腔设计不会产生任何流体阻力。因此使得该型阀门成为用来处理黏性或含有颗粒物的流体的最佳选择。
- This series sanitary ball valve can be used in material transmitting, widely used in fields such as food processing, pharmacy and chemistry etc...
- The full bore design to let liquid pass through without any resistance, the best choice to process the fluid contains viscosity or particles.



#### 工作原理 / OPERATING PRINCIPLES

- 一只带有贯通腔的精确制造的球体被放置在阀门体内的两块法兰和两片 PTFE 阀门座之间。一个阀门轴芯经 90° 旋转可作用于该球体, 因而能够开启或关闭阀门。
- A high precision full bore ball fits between flange and PTFE seat, rotate the valve axis 90° to act on the ball to open/close valve.

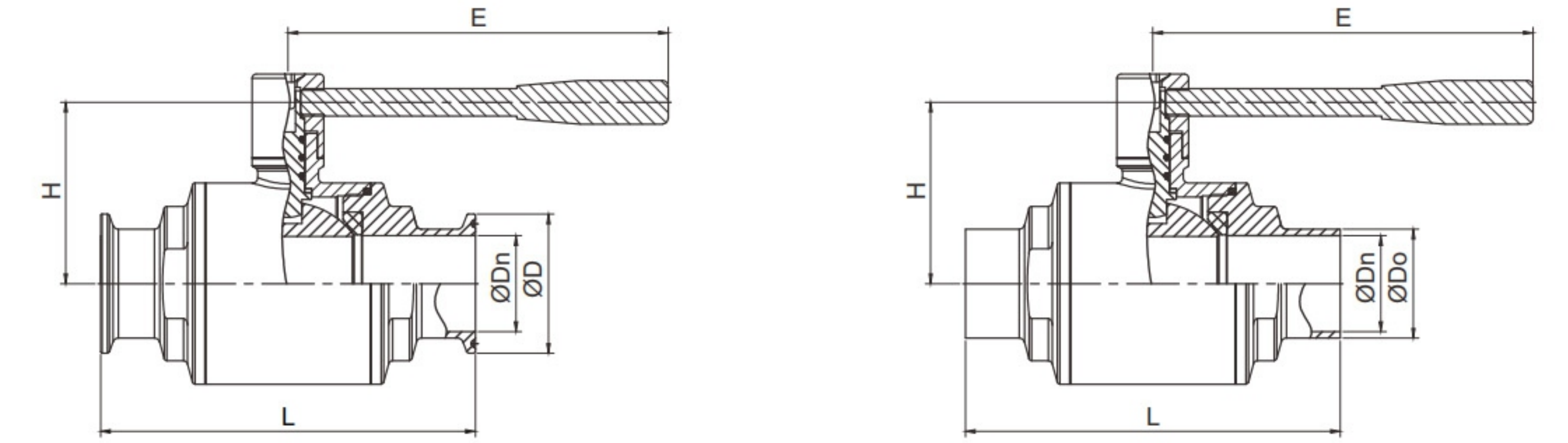
#### 标准设计 / STANDARD DESIGN

- 该型是一款完全贯通的阀门, 与管道等直径, 流体流经阀门时产生的阻力和一段直管道相当。经过特别挑选的 PTFE 材质可确保接触输送的物料的部件具有足够长的使用寿命。
- 卫生级两通球阀: 三片式结构, 一个阀体, 两个阀盖, 两个 PTFE 阀门座, 球体, 轴芯元件以及一个手柄(或气动头元件)。可增加清洗排泄口。
- 卫生级三通球阀: 结构形式有 T 型及 L 型两种, 一个阀体, 三个阀盖, 三个 PTFE 阀门座, 球体, 轴芯元件以及一个手柄(或气动头元件)构成。可增加清洗排泄孔。

#### 材料 / MATERIALS

- 产品过流钢制部件: 304/316L
- 其他钢质部件: 304
- 内外表面粗糙度:  $Ra \leq 0.4 \mu m$
- 接触输送物料的密封件: PTFE, EPDM
- 其他密封件: PTFE, NBR
- Body material: 304/316L
- Other SS parts: 304
- OD/ID roughness:  $Ra \leq 0.4 \mu m$
- Seal: PTFE, EPDM
- Other seals: PTFE, NBR

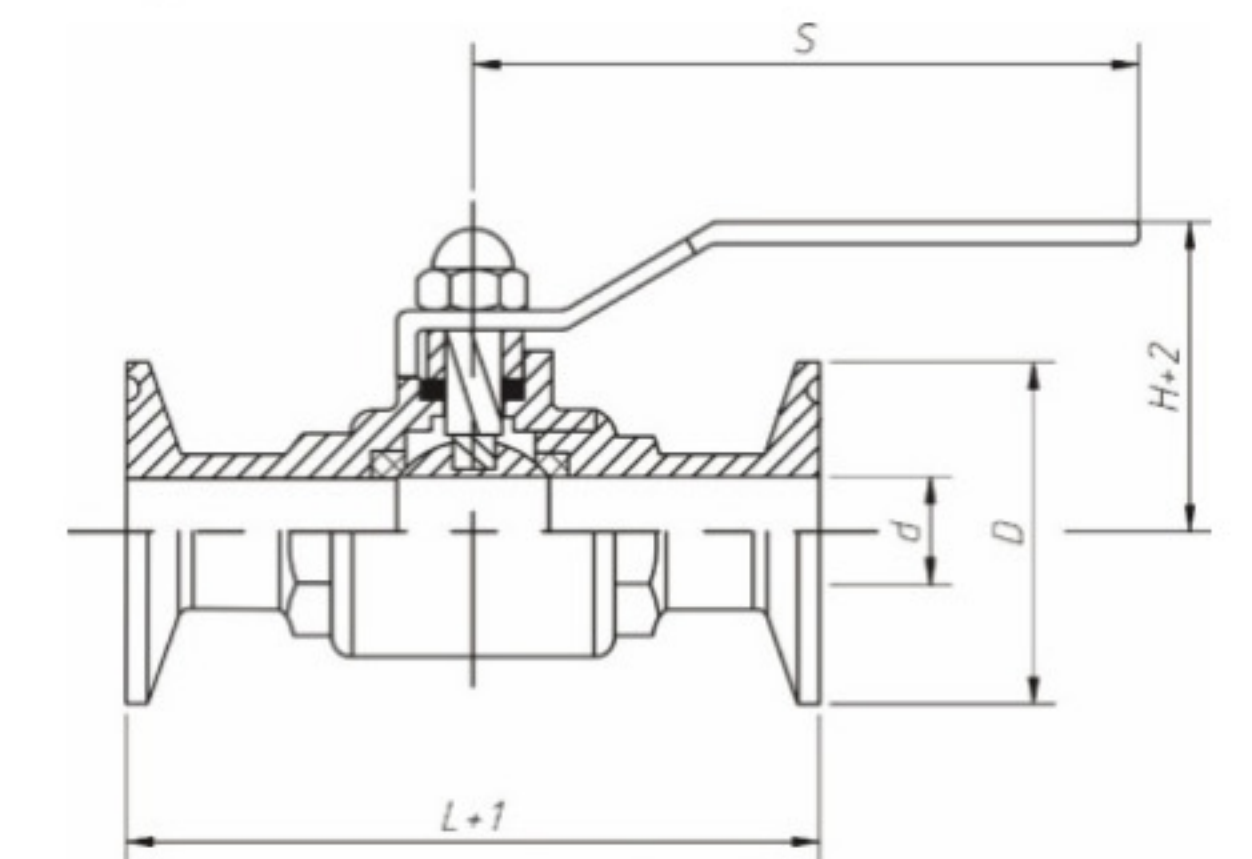
- This full bore valve diameter in line with pipeline so keep equal resistance. The fine selected PTFE seal could guarantee long service life to the parts contact with medium.
- Sanitary 2-ways ball valve: three pieces structure, one body two decks two seats, ball body, stem and one handle(or pneumatic components). Also can add a drain outlet.
- Sanitary 3-ways ball valve: L or T structure, one body three decks three seats, ball body, stem and one handle(or pneumatic components). Also can add a drain outlet.



#### 新型直通球阀(锻造)

New type straight through ball valve (forged)

SIZE	D	Do	Dn	L	H	E
1/2"	25.2	12.7	9.4	89	43	110
3/4"	25.2	19.1	15.8	101	47	110
1"	50.5	25.4	22.1	114	56	138
1.25"	50.5	31.8	28.5	124	58	138
1.5"	50.5	38.1	34.8	140	66	138
2"	64	50.8	47.5	156	85	175
2.5"	77.5	63.5	60.2	160	100	175
3"	91	76.2	72.9	180	128	200
3.5"	106	85	89	180	128	200
4"	119	101.6	97.4	220	150	245



#### 卡箍直通球阀(铸造)

Clamp straight ball valve (cast)

SIZE	d	D	L	H	S
1/2"	10	25.5	75	41	95
3/4"	17	50.5	103	47	124
1"	22	50.5	116	62	132
1 1/4"	28	50.5	125	66	137
1 1/2"	35	50.5	137	76	154
1 3/4"	42	64	147	84	160
2"	47.5	64	162	91	173
2 1/4"	53	77.5	167	93	173
2 1/2"	60	77.5	178	97	173
3"	72	91	200	106	234
3 1/2"	80	106	210	125	244
4"	100	119	250	164	244
5"	125	145	320	210	350



# 全口径三通球阀

## FULL BORE THREE-WAY BALL VALVE

### 应用 / APPLICATIONS

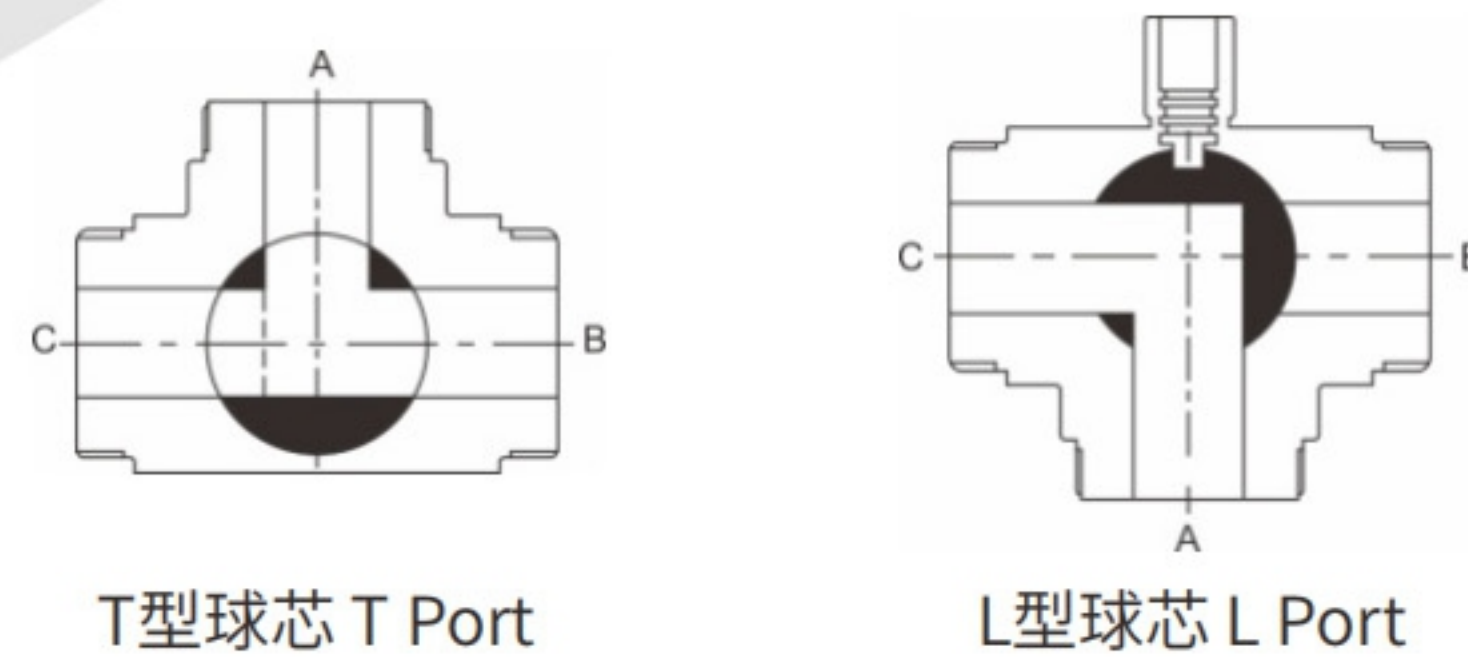
- 广泛应用于食品加工, 饮料、酿酒, 生物制药等领域。
- This kind of valve is widely used in the field of food processing, beverage, wine, Biopharmaceutical etc.

### 设计特点 / DESIGN FEATURES

- 全包裹式阀座设计, 无滞留高洁净, 满足 CIP SIP 杀菌和清洗要求, 耐湿 110°C, 压力 10BAR. 垫圈根据 FDA177.2600
- 链接方式: 快装、焊接、螺纹
- 控制方式: 手动、气动、电动
- SIZE: 1-4 标准: 3A, DIN, SMS, 1DF, RJT, BPE, ISO. 无论何种连接方式, 阀体都可更换, 且不会改变阀门的总长度 L 型和 T 型可现场更换, 进出口方向可任意组合都保证无滞留。无死角
- Gasket complies with FDA177.2600
- Connection: clamp, weld, thread
- Control mode: manual operation, pneumatic, electric
- Size: 1/2~4"/DN10-DN100 Standard: 3A, DIN, SMS, IDF/ISO
- Valve body can be replaced in any connections, and the length will not change. L-Port or T-port can be interchangeable on-site inlet, outlet to be any combination of changes can guarantee dead angle, no retention.



三通球阀流体示意图

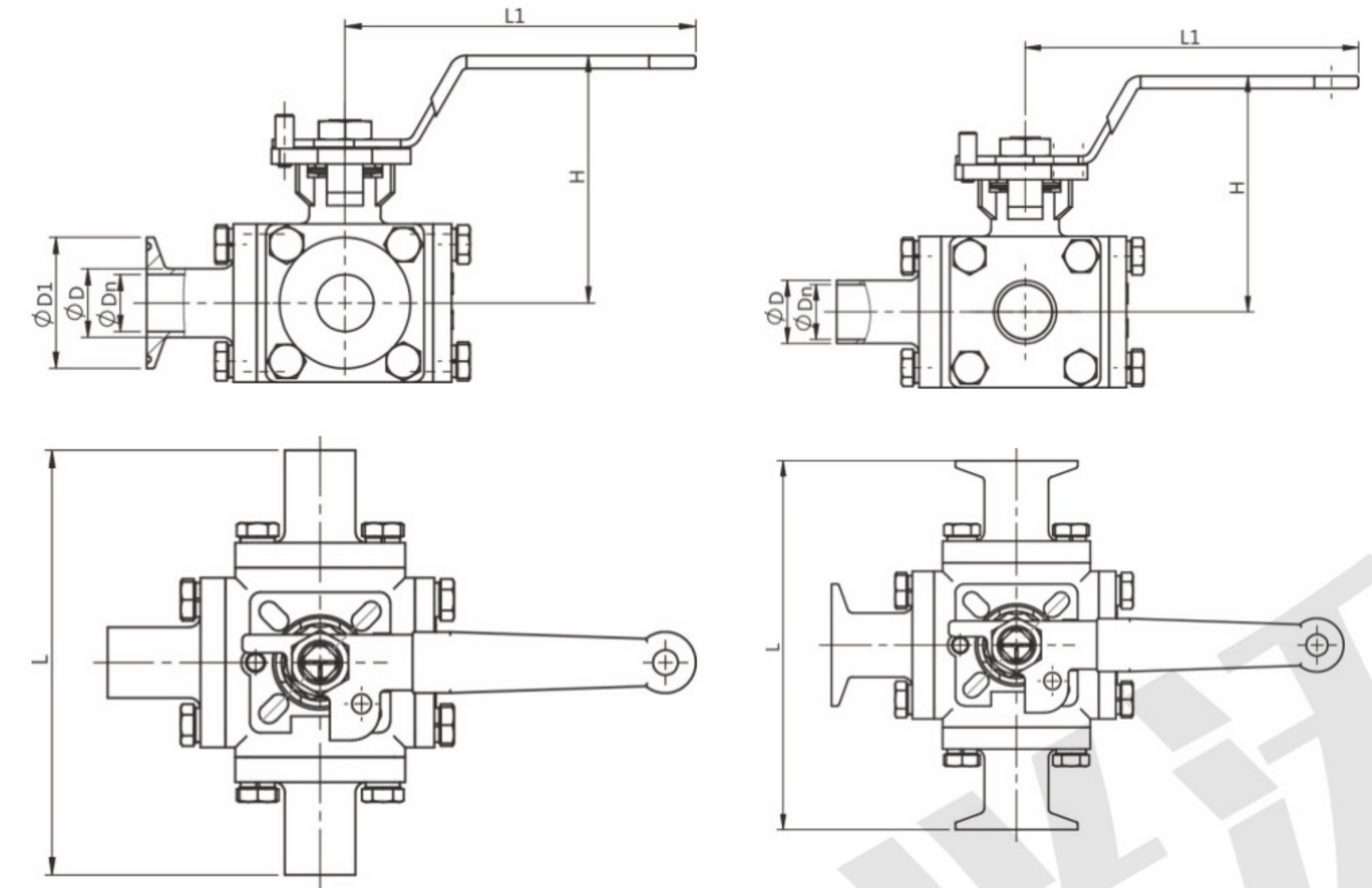


### 三通无滞留球阀扭矩表

• THEN.M OF THREE-WAY NON-RETENTION BALL VALVE

SIZE	1/2"-3/4"	1"/DN25	1.25"/DN32	1.5"/DN40	2"/DN50	2.5"/DN65	3"	DN80	4"/DN100
扭矩 N.M	10	15	20	25	35	50	75	95	120

▪ 选择执行器时建议增加 20% 安全余量  
Advice: increasing 20% Safety Margin When Selecting Actuators



### 三通无滞留球阀(3A)

Full-bore Three-way Non-retention Ball Valve(3A)

SIZE	ΦDn	ΦD	ΦD1	L	L1	H
1"	9.4	12.7	12.7	12.7	135	77
3/4"	15.8	19.1	19.1	19.1	135	78
1"	22.1	25.4	25.4	25.4	135	95
1.25"	28.5	31.8	31.8	31.8	181	113
1.5"	34.8	38.1	38.1	38.1	181	113
2"	47.5	50.8	50.8	50.8	181	121
1"	60.2	63.5	63.5	63.5	181	135
3"	72.9	76.2	76.2	76.2	336	140
4"	97.4	101.6	101.6	101.6	436	150

### 三通无滞留球阀(DIN)

Full-bore Three-way Non-retention Ball Valve(DIN)

SIZE	ΦDn	ΦD	ΦD1	L	L1	H
DN15	15	18	34	118	135	77
DN20	19	22	34	127	135	78
DN25	25	28	50.5	152	135	95
DN32	31	34	50.5	175	181	113
DN40	37	40	50.5	175	181	113
DN50	49	52	64	201	181	121
DN65	66	70	91	227	181	135
DN80	81	85	106	262	336	140
DN100	100	104	119	319	436	150



## 全通路四通球阀

### FULL BORE FOUR WAY BALL VALVE

#### 应用 / APPLICATIONS

▪ 可应用于食品、饮酒、酿酒、炼油、化妆品、制药和化学制品行业中要求无滞留同时对两种介质的流向进行切换的管道。

▪ Pipe system applied in food, wine, brewery, refining, cosmetics, pharmaceutical and chemicals industries, required non-retention and switch the direction of two media.

#### 产品特点 / FEATURES

1、本系列阀门可配多种驱动装置。

2、本系列阀门介质流向工作原理：

▪ 如图所示，该四通换向球阀，一阀实现正反供水切换，每转90，供水方式切换一次，可同时对两种介质的流向进行切换，即方便而迅速，实现一阀多用的效果。

▪ 以前需四个阀门供水时阀AD开启，阀B、C关闭；反向供水时阀B、C开启，阀AD关闭，现用一台四通球阀替代操作方便。

1. This series of valves can be equipped with a variety of drive devices.

2. The working principle of this series of valve's medium flow direction;

▪ As shown in the picture, the four-way reversing ball valve, one valve achieving positive and negative water supply switch, every 90 switch, mold of water supply changed, simultaneously switch the flow direction of two media, convenient and rapid, achieve the effect of multipurpose valve.

▪ In the old time, supply water need four valves, when supply water, valve A, D opened, valve B, C closed; in opposite direction, valve B, C opened, valve A, D closed; but now only one valve can take place the four, easy to operate.

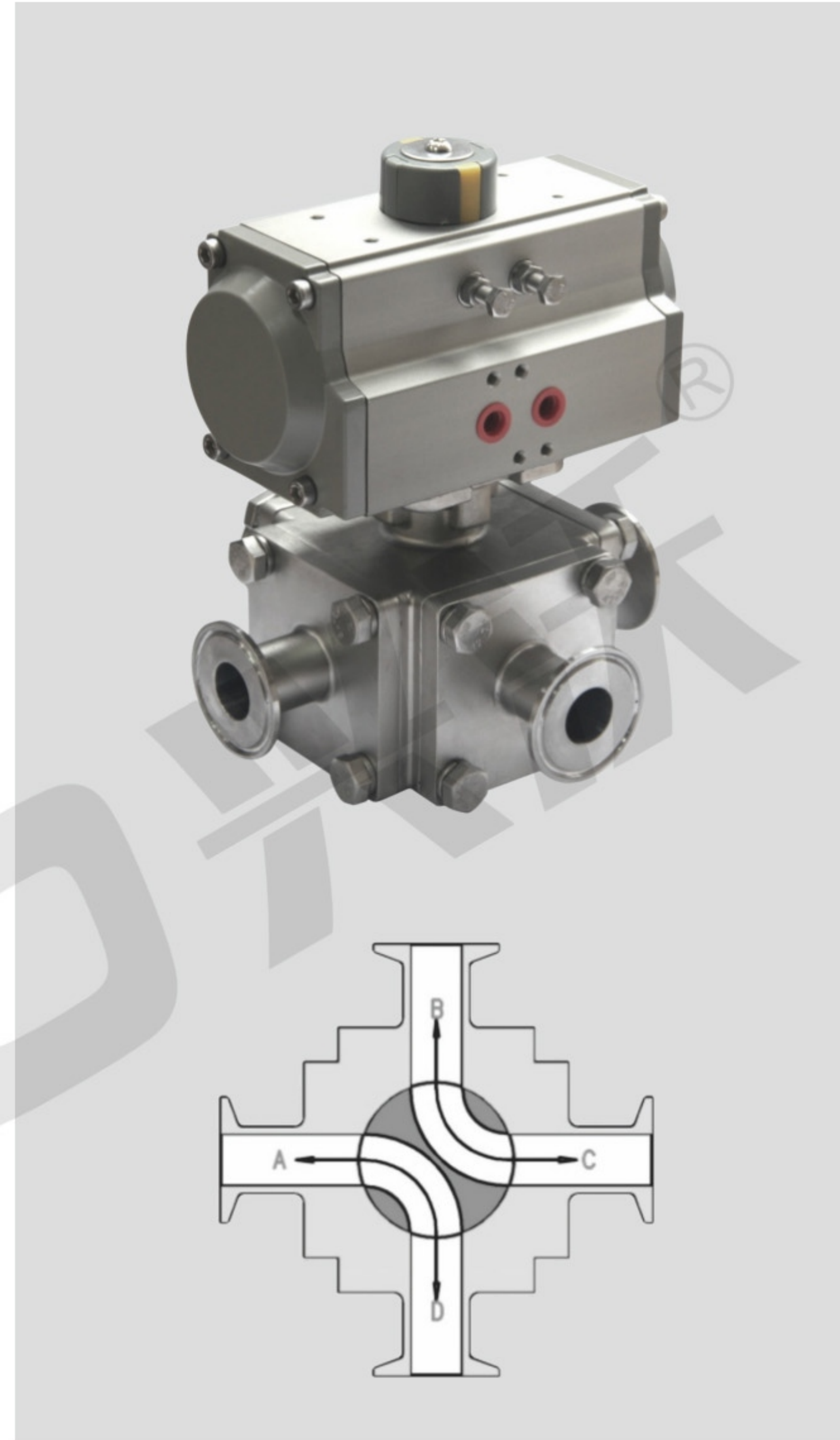
3、本系列阀门的特点：

▪ 流体阻力小：球体和阀体的连接管道截面相等，且球体通道采用圆弧连接，介质通过球体是，流体阻力小。

▪ 密封性能好：阀座采用具有一定弹性变形和高强度的 PTFE 材料达到良好密封性能保证了阀门的稳定性。

▪ 使用寿命长：阀门的整体材质全部选用卫生级奥氏体不锈钢，阀座材料选用 PTFE，能达到良好的抗腐蚀性作用，延长了阀门的使用寿命。

▪ 无滞留设计：密封选用优质 PTFE 全包结构，使 PTFE 阀座与球体、阀体紧密接触，从而达到无滞留介质的功能。



3. Features of this series of valves:

• Small fluid resistance: The connecting pipe section of the sphere and body are equal, and the spherical channel use arc connection, when the media through the sphere there has small fluid resistance.

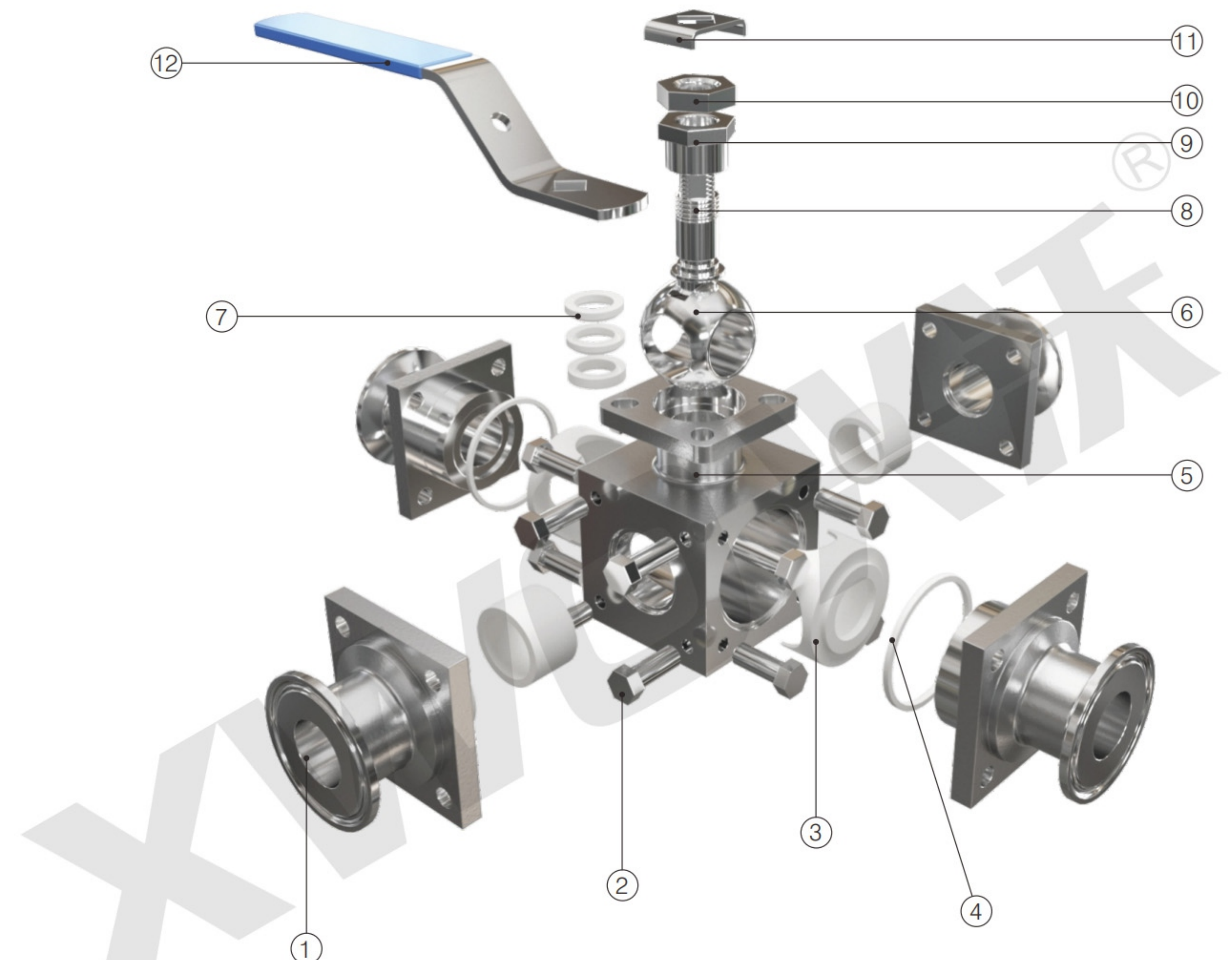
• Well sealing performance: valve seat use the PTFE material with a certain elastic deformation and high strength, reach the well sealing performance to make sure the stability of the valve.

• Long-lasting usage: overall material of the valve choose sanitary authentic stainless steel, valve seat select PTFE material, can reach the good effect of corrosion resistance, to extend the usage life of the valve.

• Non-stagnation design: sealing choose quality PTFE encapsulated structure, so that the PTFE seat, sphere and valve body contact closely, to reach the purpose of non-retention.

## 卫生级四通全包球阀

### SANITARY FOUR-WAY FULL-BORE BALL VALVE



NO.	DESCRIPTION	NO.	DESCRIPTION
01	阀盖 / Bonnet	09	压紧螺母 / gland nut
02	螺栓 / Bolt	10	螺母 / Nut
03	阀座 / Seat	11	止退垫 / Backstop pad
04	线条 / Sealing	12	手柄 / Hand shank
05	阀体 / Body		
06	球芯 / Ball core		
07	组合填料 / Combined packing		
08	阀杆 / Stem		



## 蝶式球阀

### BUTTERFLY TYPE BALL VALVE

#### 应用 / APPLICATIONS

- 蝶式卫生球阀, 可用于物料输送。该类阀门的应用范围包括食品、饮料加工, 以及制药和化学工业等领域。
- 完全贯通的阀门腔设计不会产生任何流体阻力, 因此使得该阀门成为用来处理黏性或者颗粒物的流体的最佳选择。
- Sanitary butterfly valve, can be used in material handling. This valve range of applications including food and beverage processing, pharmaceutical and chemical industries as well as other fields.
- Completely through the valve chamber design does not produce any fluid resistance, so that the valve is such that the best choice for handling viscous fluids or particulate matter.

#### 工作原理 / OPERATING PRINCIPLES

- 该类型阀门既可以通过一个电动执行器或一个气动执行器进行远程遥控操作, 也可以通过一个手柄进行操控。
- 电动执行器或气动执行器是将一个活塞的轴向运动转换为阀门轴的90°旋转, 实现开启或关闭, 实现对管道流体的控制和开/关任务。气动执行器装置有三种标准: 常开(NO)型, 常闭(NC)型, 气/气(A/A)型。
- 鸭嘴式手动操作的多位手柄可通过15°位置的调节将阀门机械式锁定在其开启或关闭的12位子上, 达到控制介质流量的目的。
- 拉杆式手动操作手柄通过4个多功能定位, 将阀门机械式锁定在其开启或关闭的4个位子上, 也达到控制介质流量目的。
- This kind of valve can be operated through actuator (electric pneumatic).
- Actuator or manually with the hand is to revolve the axial movement of piston actuator (electric or pneumatic) pushed the position of axial movement unto 90 degree; So the valve can open or close. The actuator have three types.
- Muti-position handle can use to 15° adjustment of valve there is 12 seat to lock open or close, In that way, the valve can control the flow.
- Pulling handle can use to the 4 multi-function to lock open or close, In that way, the valve can control the flow.

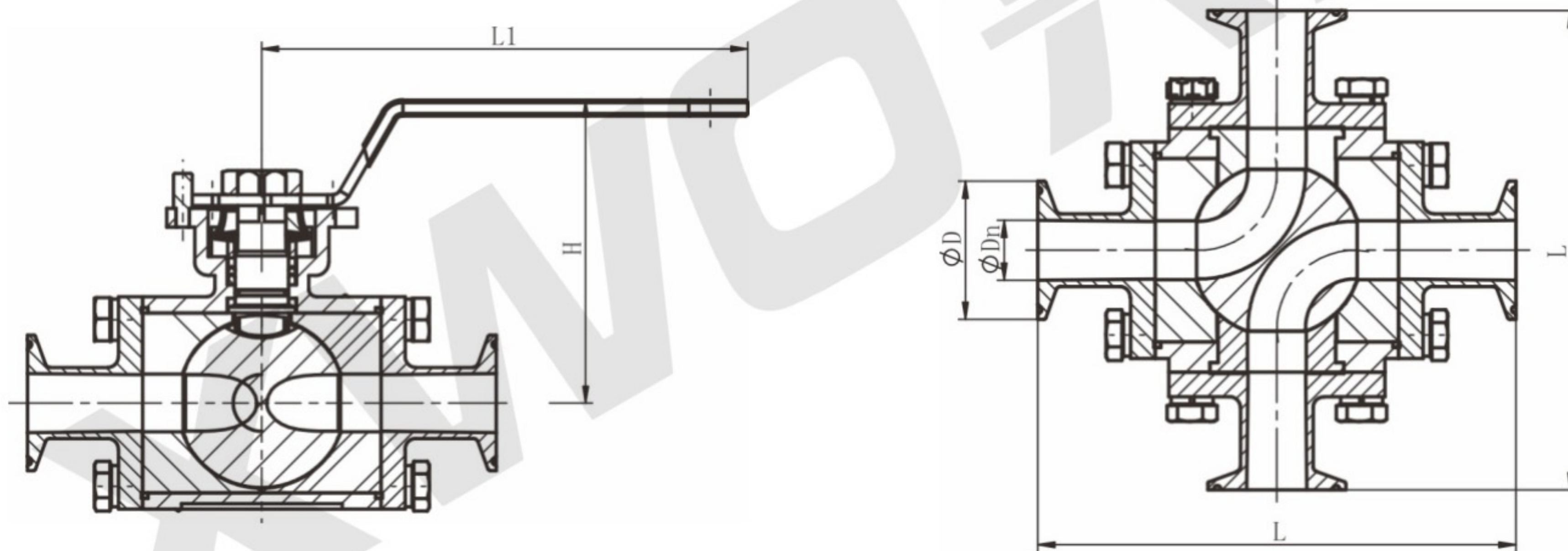


#### 材料 / MATERIALS

- 产品过流钢制部件: 304/316L
- 其他钢质部件: 304
- 过流部件表面粗糙度:  $Ra \leq 0.8$
- 外表面粗糙度:  $Ra \leq 1.6$
- 气动头外表面粗糙度: 亚光
- 接触输送物料的密封件: PTFE, EPDM
- 其他密封件: PTFE, NBR
- Product wetted steel parts: 304 / 316L
- Other steel parts: 304
- Flow components of surface roughness:  $Ra \leq 0.8$
- Outer surface roughness:  $Ra \leq 1.6$
- Pneumatic head outer surface roughness: matt
- Wetted seals: PTFE, EPDM
- Other Seals: PTFE, NBR

操作扭矩(N.m.)  
Operating Torque(N.m.)

SIZE	1/2"-3/4"	1"/DN25	1.25"/DN32	1.5"/DN40	2"/DN50	2.5"/DN65	3"	DN80	4"/DN100
扭矩 N.M	8	10	15	20	25	40	62	73	95



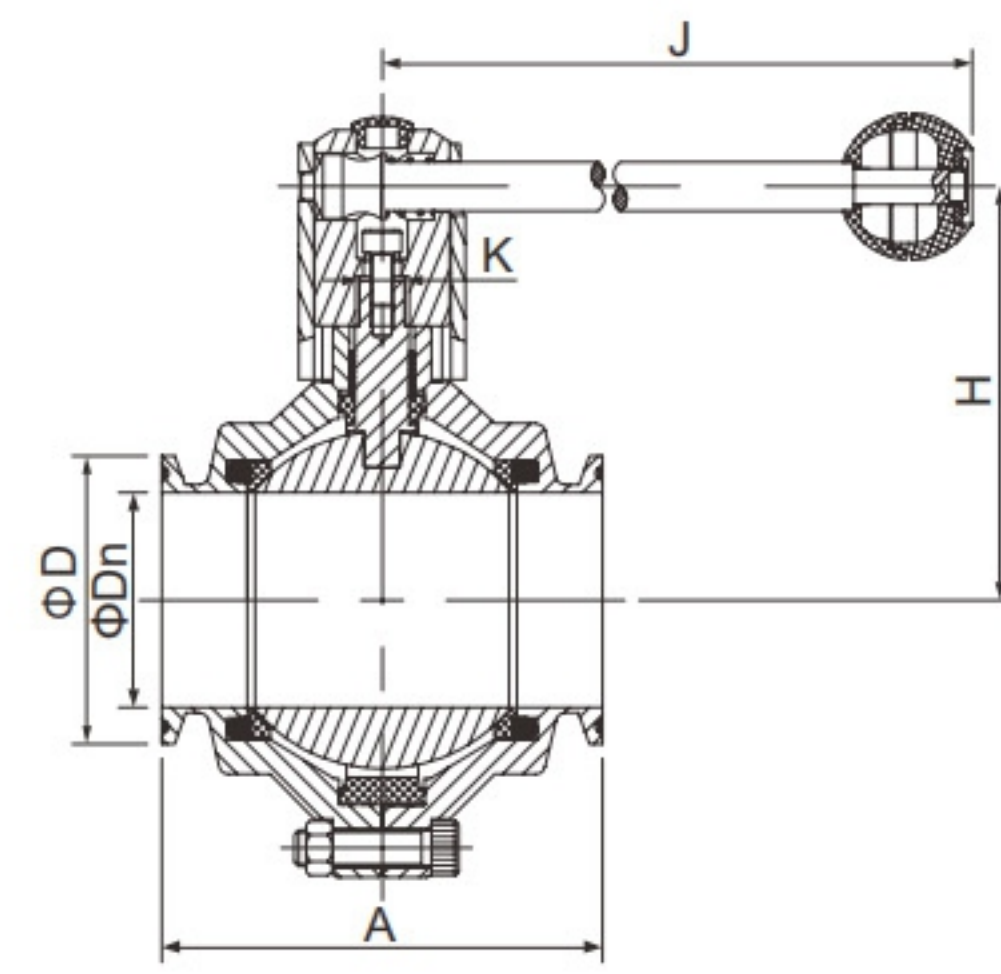
#### 四通全包球阀(3A)

Sanitary Four-way Ball Valve(3A)

SIZE	ΦDn	ΦD	ΦD1	L	L1	H
1"	22.1	25.4	50.5	175	181	131
1.25"	28.5	31.8	50.5			
1.5"	34.8	38.1	50.5			
2"	47.5	50.8	64			
2.5"	60.2	63.5	77.5			
3"	72.9	76.2	91			
4"	97.4	101.6	119			

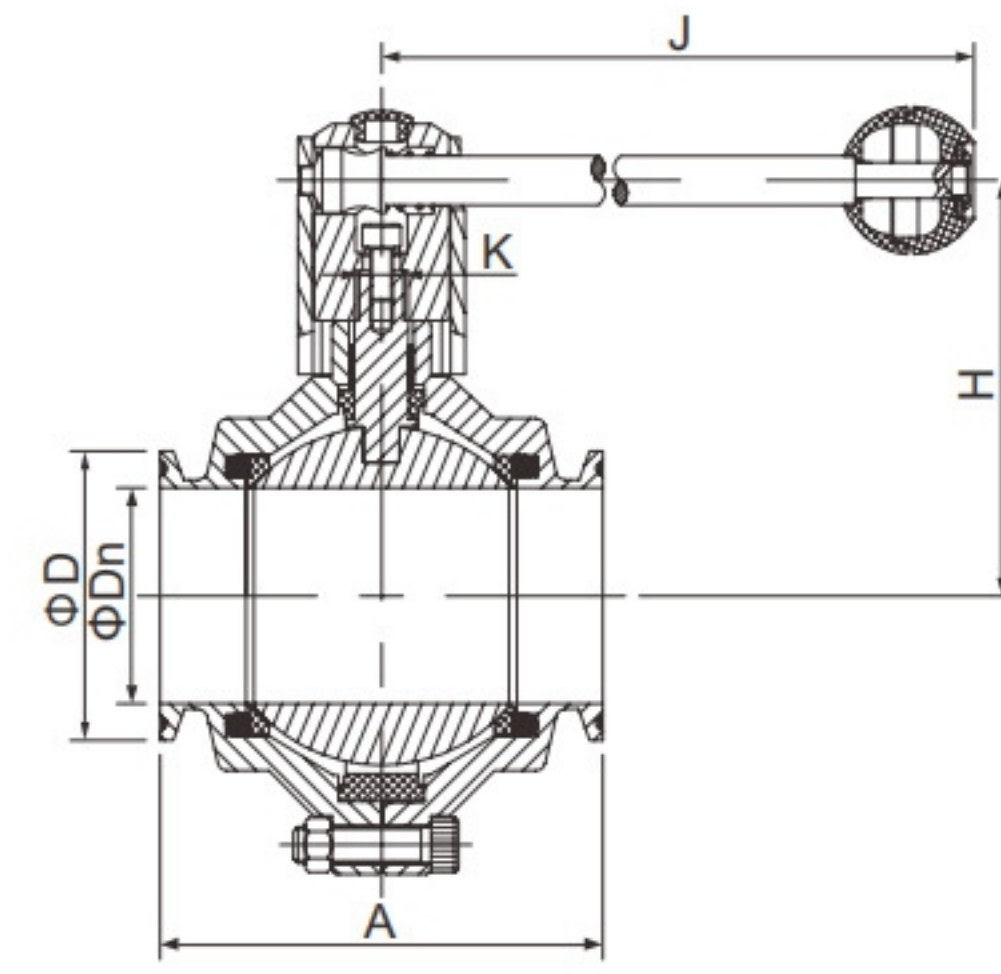
具体规格参数可详询我司。





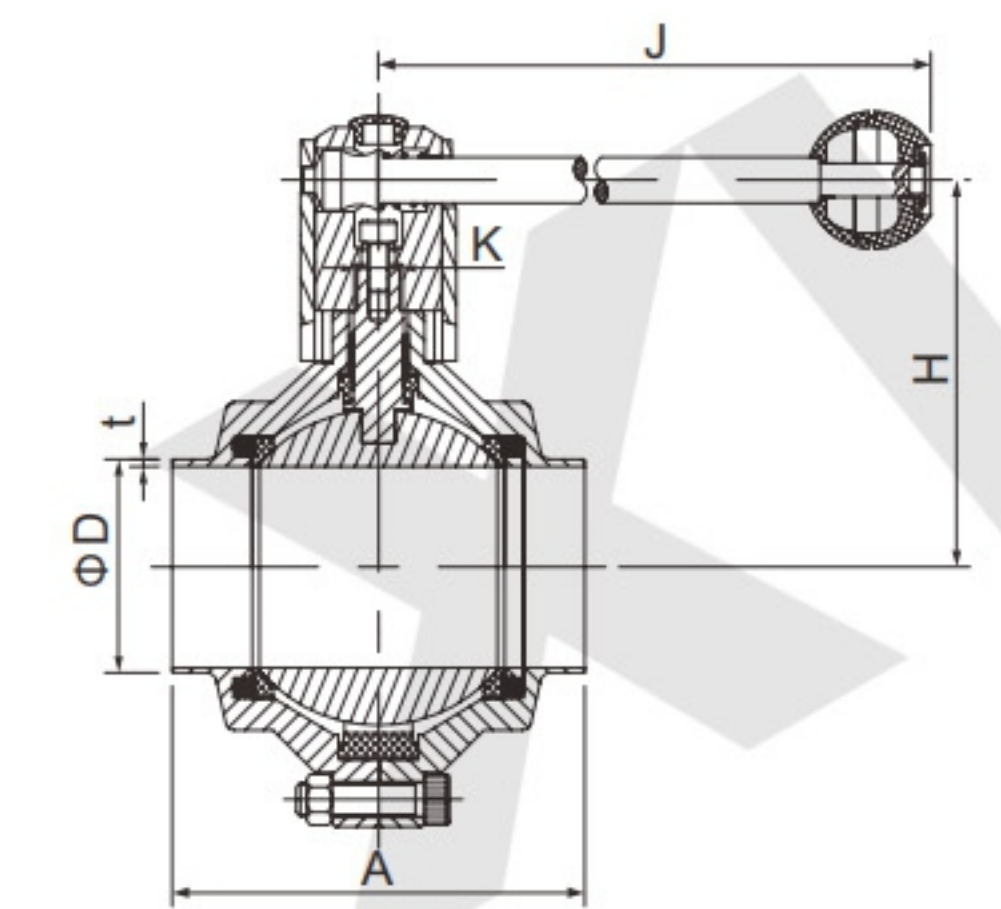
**卡箍式蝶式球阀(DIN)**  
Clamped Butterfly Type Ball Valve(DIN)

规格 Size	Dn	D	A	H	J	K
DN15	15	34	72	86.5	126	8×8
DN20	19	34	72	86.5	126	8×8
DN25	25	50.5	72	90.5	126	8×8
DN32	31	50.5	83	92.5	126	8×8
DN40	38	50.5	87	100.5	126	10×10
DN50	49	64	101	113.5	133	10×10
DN65	66	91	125	125.5	144	11×11
DN80	81	106	135	135.5	144	11×11
DN100	100	119	170	158.5	160	14×14



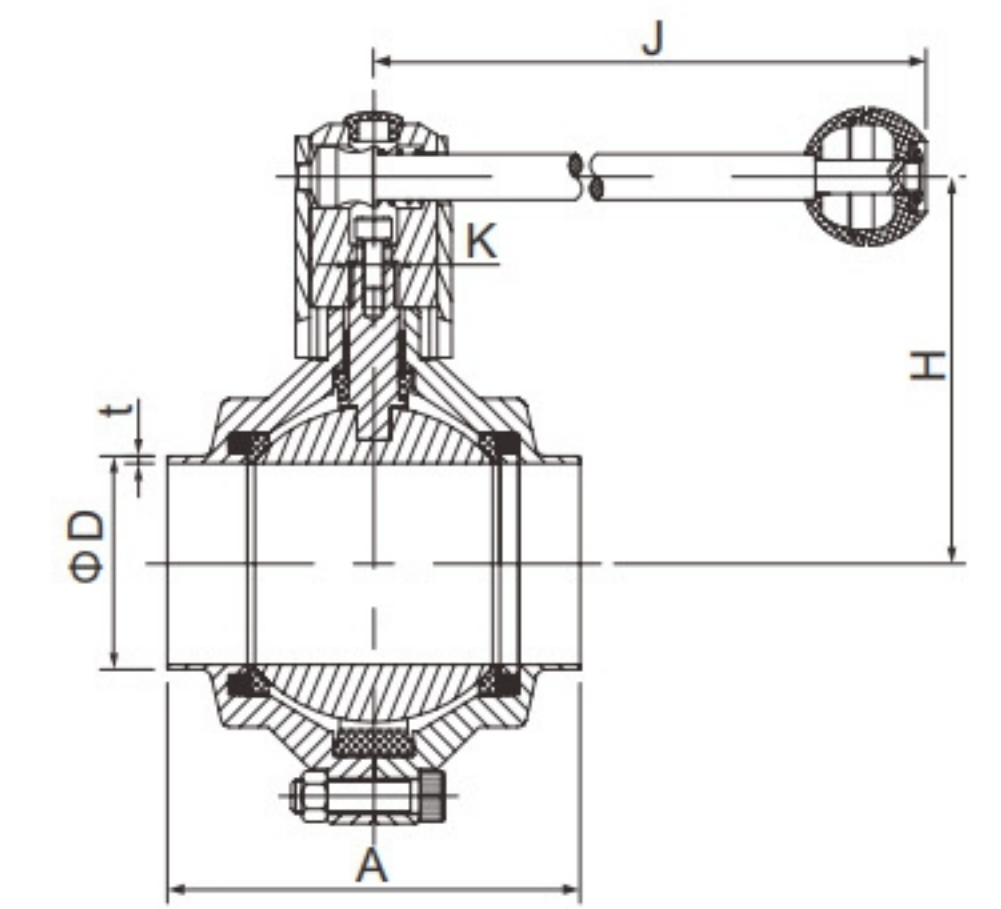
**卡箍式蝶式球阀(3A SMS ISO DS)**  
Clamped Butterfly Type Ball Valve(3A SMS ISO DS)

规格 Size	D	A	H	J	K
1/2"	25.4	72	86.5	126	8×8
3/4"	25.4	72	86.5	126	8×8
1"	50.5	72	90.5	126	8×8
1 1/4"	50.5	83	92.5	126	8×8
1 1/2"	50.5	87	100.5	126	10×10
2"	64	101	113.5	133	10×10
2 1/2"	77.5	125	125.5	144	11×11
3"	91	135	135.5	144	11×11
4"	119	170	158.5	160	14×14



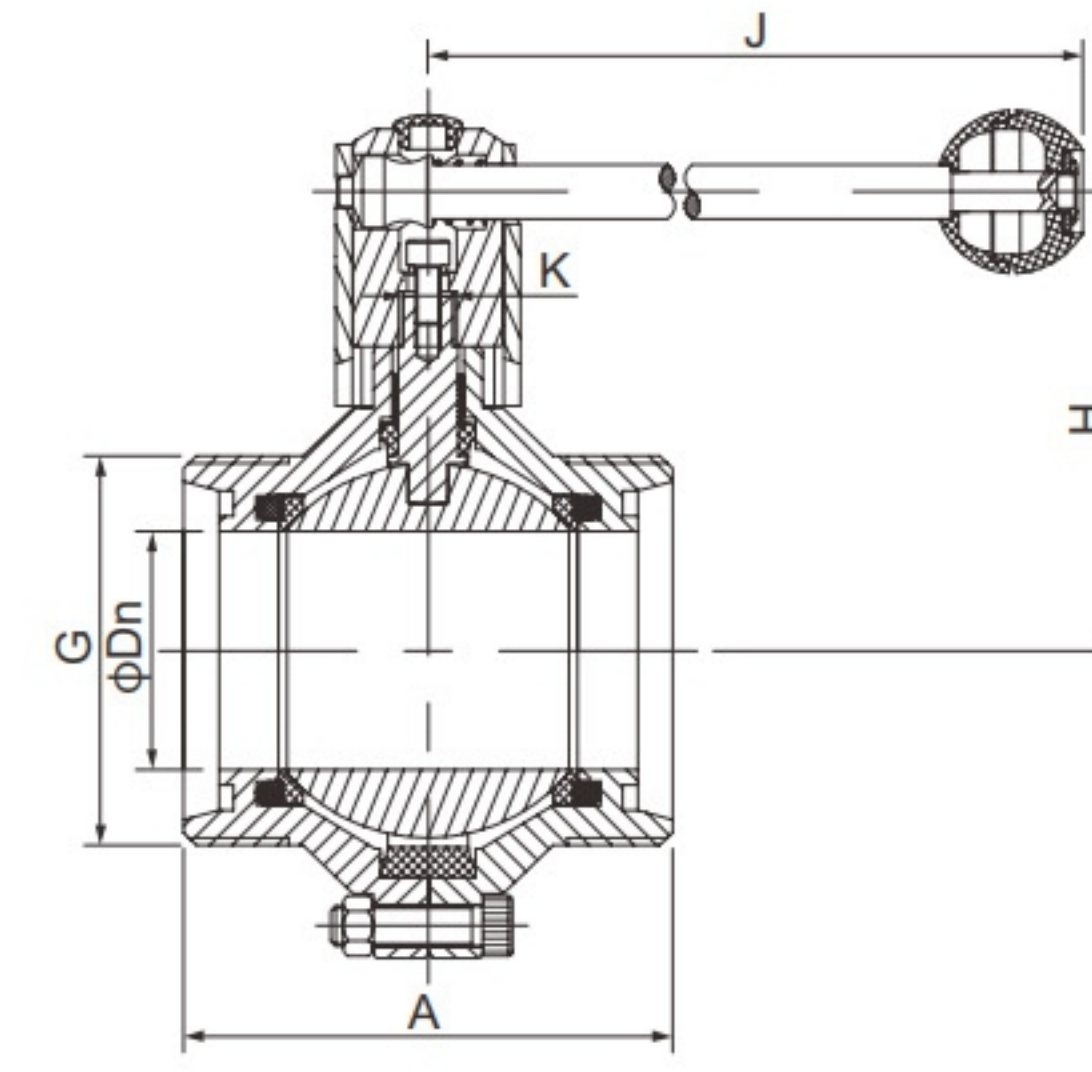
**焊接式蝶式球阀(DIN)**  
Welded Butterfly Type Ball Valve(DIN)

规格 Size	D	t	A	H	J	K	
DN15	18	19	1.5	72	86.5	126	8×8
DN20	22	23	1.5	72	86.5	126	8×8
DN25	28	29	1.5	72	90.5	126	8×8
DN32	34	35	1.5	83	92.5	126	8×8
DN40	40	41	1.5	87	100.5	126	10×10
DN50	52	53	1.5	101	113.5	133	10×10
DN65	70	-	2	125	125.5	144	11×11
DN80	85	-	2	135	135.5	144	11×11
DN100	104	-	2	170	158.5	160	14×14



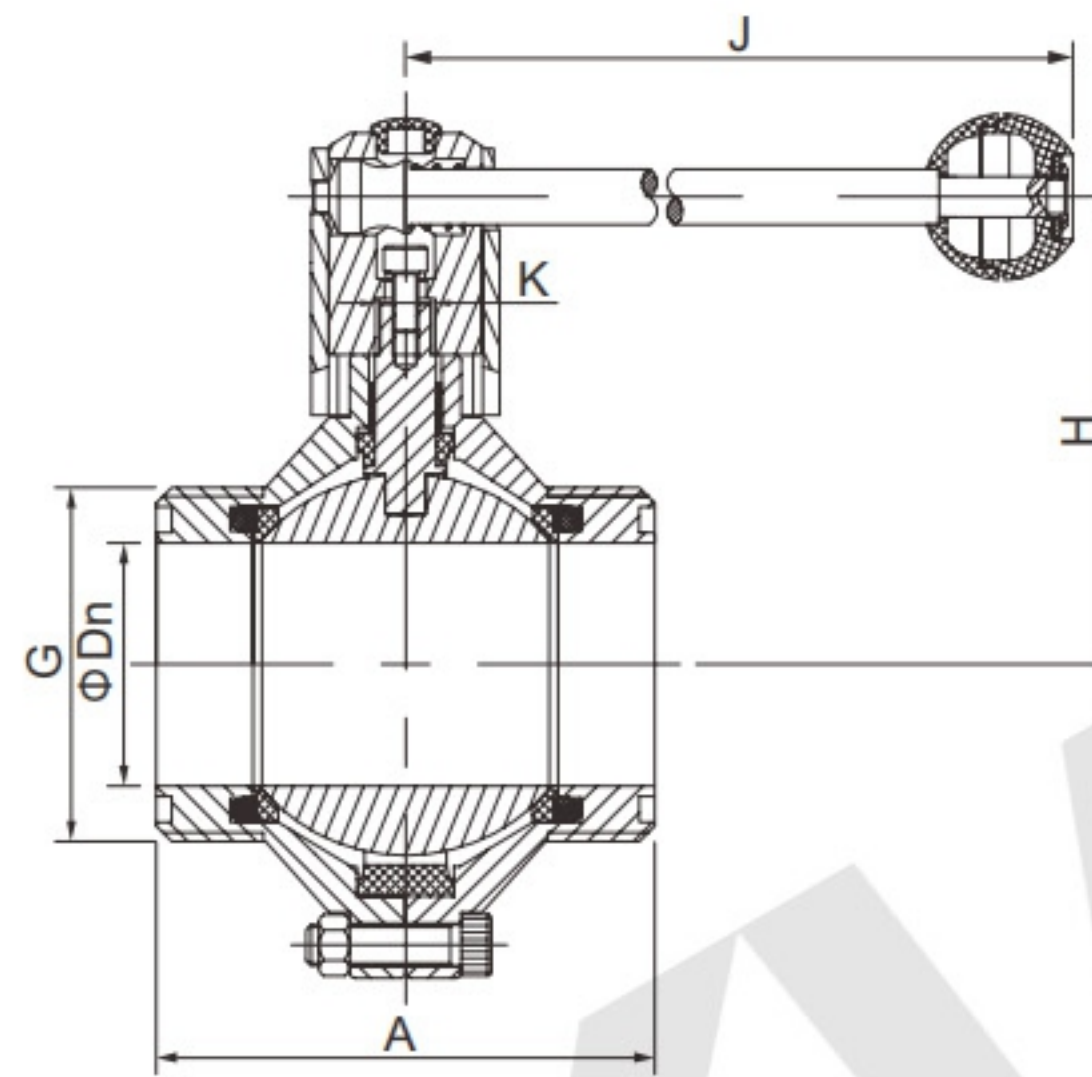
**焊接式蝶式球阀(3A SMS ISO DS)**  
Welded Butterfly Type Ball Valve(3A SMS ISO DS)

规格 Size	D	A	H	J	K
1/2"	12.7	72	86.5	126	8×8
3/4"	19.1	72	86.5	126	8×8
1"	25.4	72	90.5	126	8×8
1 1/4"	31.8	83	92.5	126	8×8
1 1/2"	38.1	87	100.5	126	10×10
2"	50.8	101	113.5	133	10×10
2 1/2"	63.5	125	125.5	144	11×11
3"	76.2	135	135.5	144	11×11
4"	101.6	170	158.5	160	14×14



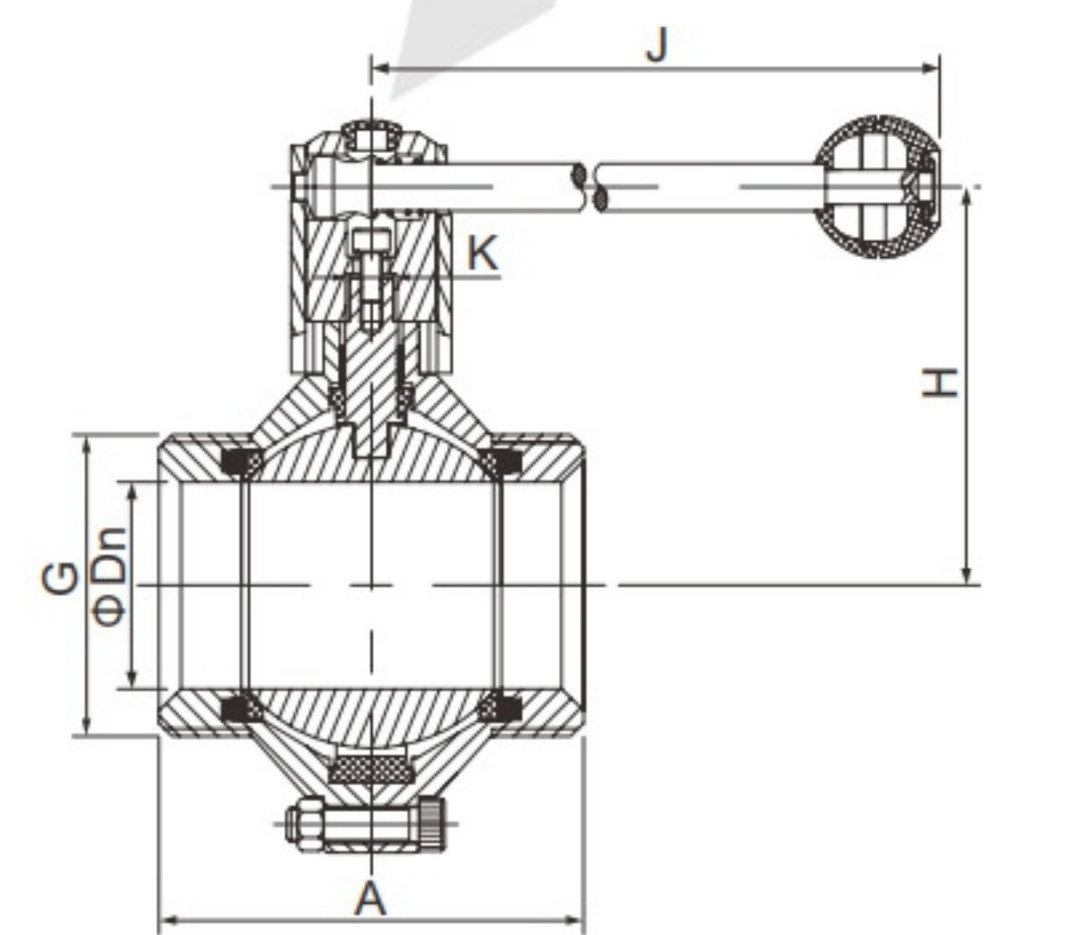
**螺纹式蝶式球阀(DIN)**  
Threaded Butterfly Type Ball Valve(DIN)

规格 Size	Dn	G	A	H	J	K
DN15	15	Rd34×1/8	72	86.5	126	8×8
DN20	19	Rd44×1/6	72	86.5	126	8×8
DN25	25	Rd52×1/6	72	90.5	126	8×8
DN32	31	Rd58×1/6	83	92.5	126	8×8
DN40	37	Rd65×1/6	87	100.5	126	10×10
DN50	49	Rd78×1/6	101	113.5	133	10×10
DN65	66	Rd95×1/6	125	125.5	144	11×11
DN80	81	Rd110×1/4	135	135.5	144	11×11
DN100	100	Rd130×1/4	170	158.5	160	14×14



**螺纹式蝶式球阀(SMS)**  
Threaded Butterfly Type Ball Valve(SMS)

规格 Size	Dn	G	A	H	J	K
φ 19	16	Rd36×1/8	72	86.5	126	8×8
φ 25	22.4	Rd40×1/6	72	90.5	126	8×8
φ 32	28.8	Rd48×1/6	83	92.5	126	8×8
φ 38	35.1	Rd60×1/6	87	100.5	126	10×10
φ 51	47.8	Rd70×1/6	101	113.5	133	10×10
φ 63	59.5	Rd85×1/6	125	125.5	144	11×11
φ 76	72.2	Rd98×1/6	135	135.5	144	11×11
φ 102 min	97.6	Rd125×1/4	170	158.5	160	14×14
φ 102 max	97.6	Rd132×1/6	170	158.5	160	14×14



**螺纹式蝶式球阀(3A)**  
Threaded Butterfly Type Ball Valve(3A)

规格 Size	Dn	G (Acme)	A	H	J	K
1/2"	22.1	37.1×1/8	72	86.5	126	8×8
3/4"	28.8	45.9×1/8	83	90.5	126	8×8
1 1/2"	34.8	50.6×1/8	87	100.5	126	10×10
2"	47.5	64.1×1/8	101	113.5	133	10×10
2 1/2"	60	77.6×1/8	125	125.5	144	11×11
3"	72.9	91.1×1/8	135	135.5	144	11×11
4"	97.6	119.2×1/6	170	158.5	160	14×14