

SANITARY CHECK VALVE

卫生级止回阀



卫生级止回阀 SANITARY LEVEL CHECK VALVE

操作原理 / OPERATING PRINCIPLE

- 当流体的压力大于弹簧的抽吸压力时, 阀门打开。当两种压力相当时, 阀门关闭。更强大的压差也可以使阀门关闭。
- The valve opens when the pressure of the fluid exceeds the pressure exerted by the pump spring. When the two pressures are equalised, the valve closes. A stronger counter-pressure allows the valve to close.

材质 / MATERIALS

- 外部构造和轴 AISI 316L
- 弹簧 AISI 301
- 垫圈 EPDM 根据FDA 117.2600
- 表面处理 $Ra \leq 0.8 \mu m$
- Casing/shaft AISI 316L
- Spring AISI 301
- Seal EPDM according to FDA 177.2600
- Surface finishing $Ra \leq 0.8 \mu m$

选项 / OPTIONS

- 垫圈有NBR, FPM (氟橡胶) 或PTFE, 所有都根据FDA117.2600
- 连接: 焊接, 螺纹, 卡箍
- 标准: DIN, SMS RJT, IDF, ISO, 3A
- Seals in NBR, FPM (Viton) or PTFE. All of them according to FDA177.2600
- Connections: welded, threaded, clamped
- Standard: DIN, SMS, RJT, IDF, ISO, 3A

技术规范 / TECHNICAL SPECIFICATIONS

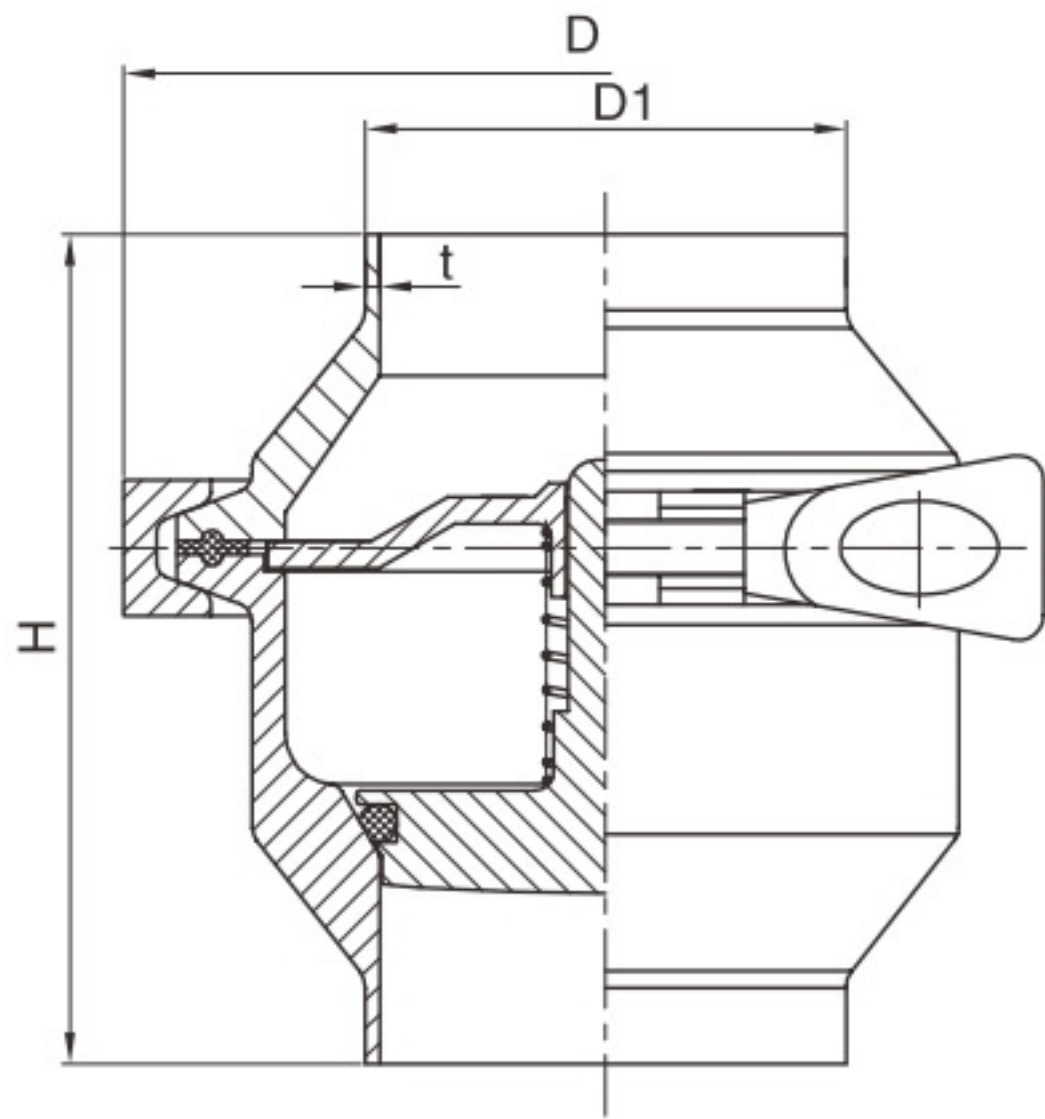
- 最大压力: 10 bar
- 开启压力: 0.3bar (DN-25)
0.2bar (DN-32/40)
0.1bar (DN-50/100)
- 工作温度: -10°C到+120°C (EPDM)
- Max. pressure 10 bar
- Opening pressure: 0.3 bar (DN-25)
0.2 bar (DN-32/40)
0.1 bar (DN-50/100)
- Working temperature -10°C to +120°C (EPDM)



焊接式止回阀

Welded Check Valve

Size	t	H	D	D1
DN15	1.5	54.0	54.0	18.0
DN20	1.5	54.0	54.0	22.0
DN25	1.5	71.0	87.0	28.0
DN32	1.5	70.0	87.0	34.0
DN40	1.5	70.0	87.0	40.0
DN50	1.5	80.0	100.0	52.0
DN65	2.0	90.0	115.0	70.0
DN80	2.0	100.0	128.0	85.0
DN100	2.0	106.0	164.0	104.0



焊接式止回阀(ISO/IDF)

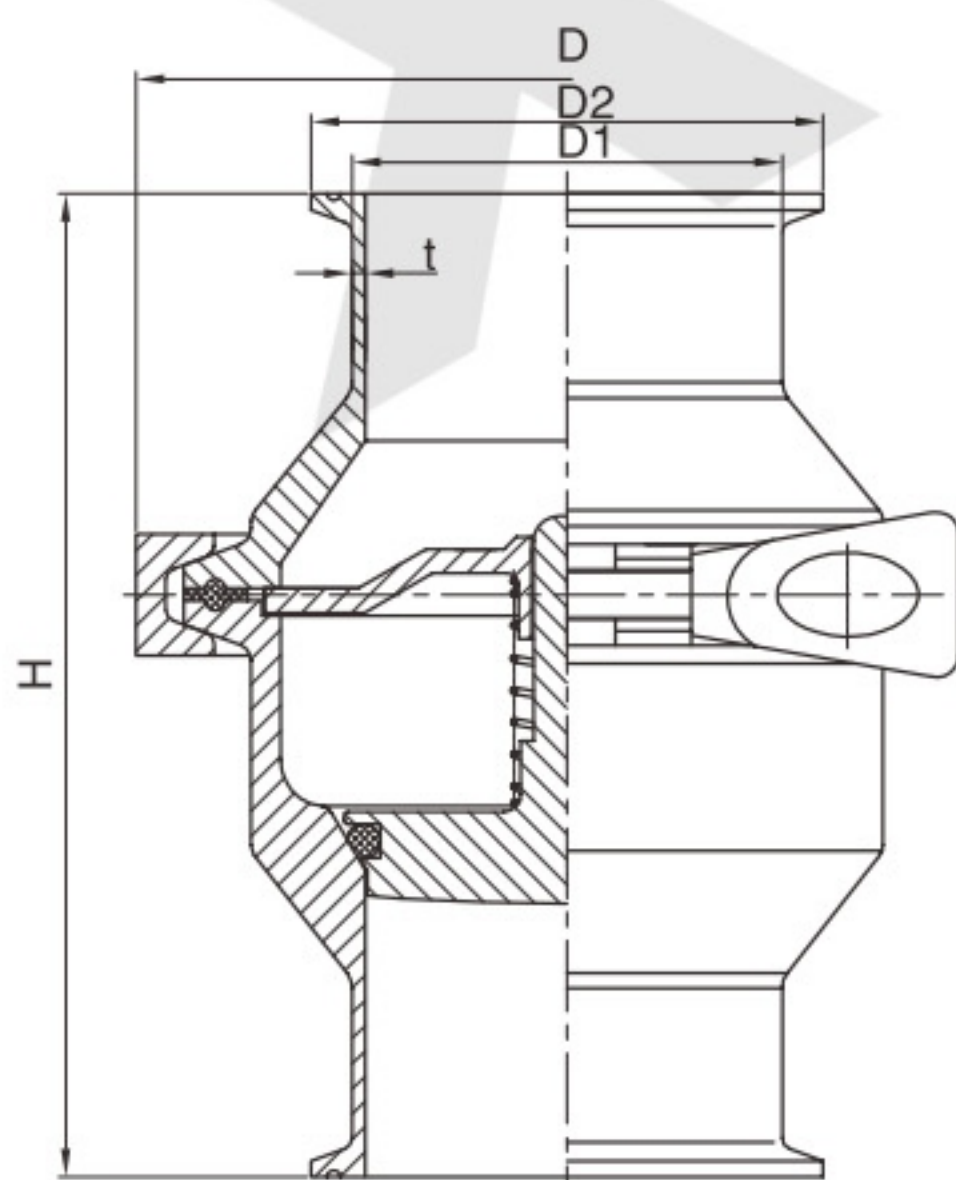
Welded Check Valve(ISO/IDF)

Size	t	H	D	D1
3/4"	1.5	54.0	54.0	19.1
1"	1.5	71.0	87.0	25.4
1 1/4"	1.5	70.0	87.0	31.8
1 1/2"	1.5	70.0	87.0	38.1
45	1.5	80.0	100.0	45.0
2"	2.0	80.0	100.0	50.8
57	2.0	90.0	100.0	57.0
2 1/2"	2.0	90.0	115.0	63.5
3"	2.0	100.0	128.0	76.2
3 1/2"	2.0	100.0	128.0	89.0
4"	2.0	106.0	164.0	101.6
	2.0	110.0	164.0	108.0

卡箍式止回阀(DIN)

Clamped Check Valve(DIN)

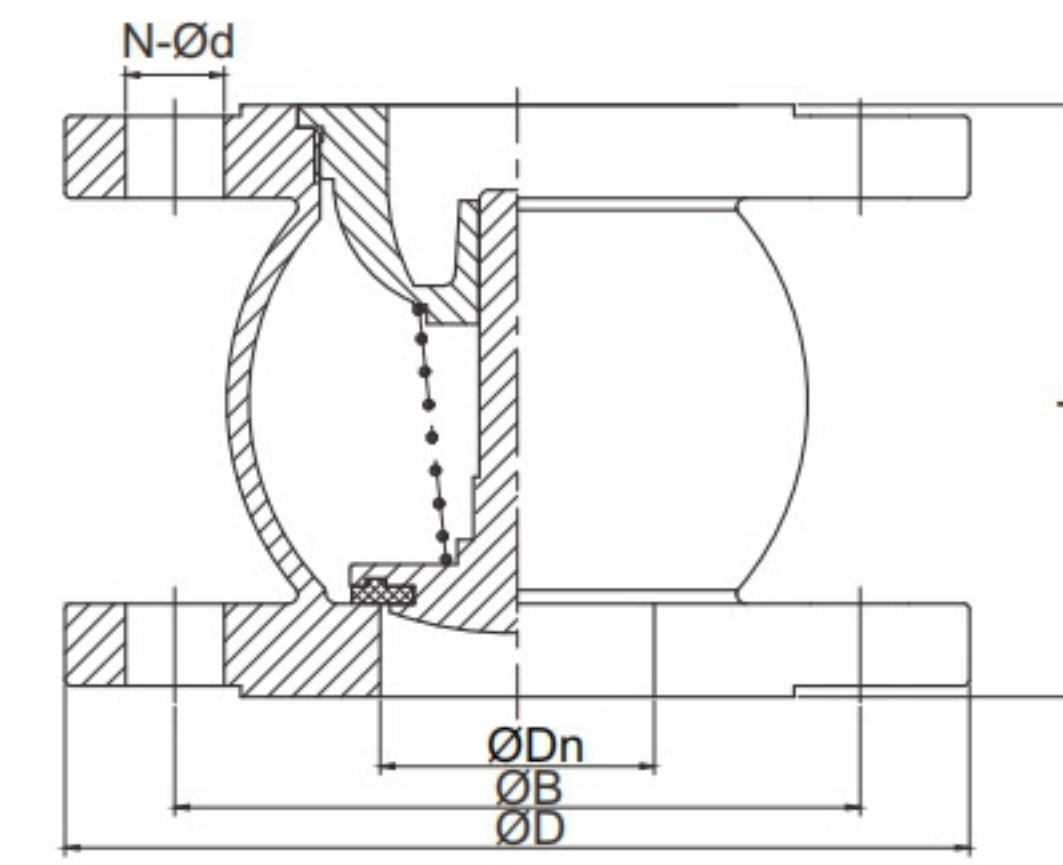
Size	t	H	D	D1
DN15	1.5	64	54.0	34.0
DN20	1.5	76	54.0	34.0
DN25	1.5	114	87.0	50.5
DN32	1.5	113	87.0	50.5
DN40	1.5	113	87.0	50.5
DN50	1.5	128	100.0	64.0
DN65	2.0	146	115.0	91.0
DN80	2.0	156	128.0	106.0
DN100	2.0	162	164.0	119.0



卡箍式止回阀(SMS)

Clamped Check Valve(SMS)

Size	t	H	D	D1
1/2"	1.5	64	54.0	25.4
3/4"	1.5	76	54.0	25.4
1"	1.5	96	87.0	50.5
1 1/4"	1.5	95	87	50.5
1 1/2"	1.5	95	87.0	50.5
2"	2.0	105	100.0	64
2 1/2"	2.0	115	115.0	77.5
3"	2.0	124	128.0	91
4"	2.0	137	164.0	119.0



球型止回阀

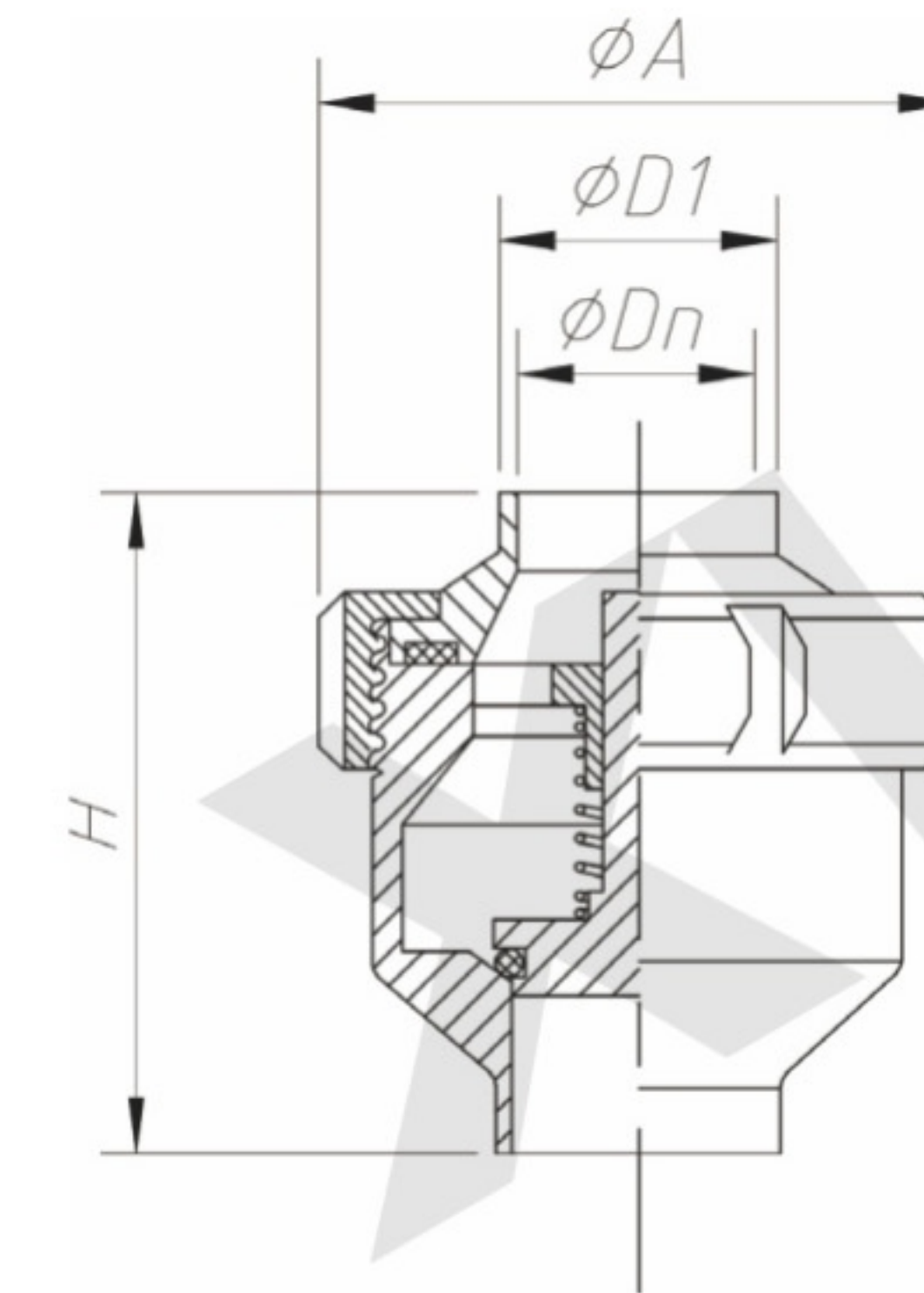
Ball type check valve

SIZE	D	Dn	B	L	N-d
DN40	140	40	110	97	4-18
DN50	155	50	125	101	4-18
DN65	175	65	145	118	4-18
DN80	190	80	160	118	4-18
DN100	210	100	180	115	8-18
DN125	240	125	210	180	8-18
DN150	275	150	240	210	8-22

由任焊接止回阀(DIN)

Union Type Welded Check Valve(DIN)

Size	DN	DI	A	H
DN25	25	28	63	70
DN32	31	34	78	75
DN40	37	40	78	75
DN50	49	52	92	80
DN65	66	70	112	90
DN80	81	85	148	115
DN100	100	104	178	147



由任焊接止回阀(SMS)

Union Type Welded Check Valve(SMS)

Size	DN	DI	A	H
1"	22.1	25.4	63	70
1 1/4"	28.5	31.8	78	75
1 1/2"	34.8	38.1	78	75
2"	47.5	50.8	92	85
2 1/2"	60.2	63.5	112	90
3"	72.9	76.2	148	100
4"	97.6	101.6	178	155