

# SANITARY DIAPHRAGM VALVE

## 卫生级隔膜阀



## AG卫生级隔膜阀系列

### AG SANITARY DIAPHRAGM VALVE SERIES

#### 产品概述

无菌隔膜阀广泛应用于食品和生物制药以及半导体超纯行业,微电子工业,精细化工行业。对防细菌滋生、注重清洗、灭菌性能的应用场合中,无菌隔膜阀是一款理想的产品,采用静态密封的隔膜阀其密封组件不具备磨损性、阀门结构无死角,因而更卫生、更耐用。

#### 特点

- 阀体有铸造和锻造可供选择,适用于国内外客户的不同使用需求。
- 产品规格齐全,从DN10~DN80任意规格可选。
- 进口材质膜片,耐腐蚀性好,符合美国FDA食品级要求,并通过SGS检测合格。
- 阀体周围的凸台与膜片对应位置的凸起筋咬合密封,确保膜片在打开或关闭状态都能与阀体紧密密封,实现“零”残留,易清洗,符合EHEDG设计标准。
- 常闭式膜片结构,手动开关更省力。
- 旋转手轮可通过调节限位螺母实现过度闭合保护,已确保膜片有预订的关闭压力,优化了密封功能的安全性,延长了膜片的使用寿命。
- 手轮与上盖之间的红色开关显示,可目测阀门的开关状态及开关程度。
- 气动阀门可根据客户需求加装电磁阀、位置反馈或定位调节器,实现阀门的自动控制或流量调节。

#### PRODUCT DESCRIPTION

Sterile diaphragm valves are widely used in food and biopharmaceutical as well as semiconductor ultrapure industries, microelectronics industry, and fine chemical industry. For applications that prevent bacterial growth and focus on cleaning and sterilization performance, the aseptic diaphragm valve is an ideal product. The static sealing diaphragm valve has no abrasive sealing components and without dead ends in the valve structure, so it is more hygienic and more durable.

#### FEATURES

- The valve body is available in casting TYPE or forged Type, which is suitable for different usage needs of domestic and foreign customers.
- Complete product specifications, any specifications from DN10 to DN80 are available.
- The diaphragm is made of imported material, has good corrosion resistance, meets the US FDA food grade requirements, and has passed SGS testing.
- The valve body raise piece and the raised ribs at the corresponding position of the diaphragm are engaged and sealed to ensure that the diaphragm can be tightly sealed with the valve body in the open or closed state, achieving "zero" residue, easy cleaning, and compliant with EHEDG design standards.
- Normally closed diaphragm structure, manual switch saves energy.
- The rotating handwheel can realize over-closing protection by adjusting the limit nut, ensuring that the diaphragm has a predetermined closing pressure, optimizing the safety of the sealing function and extending the service life of the diaphragm.
- The red switch display between the handwheel and the upper cover allows visual inspection of the valve's switching status and degree.
- Pneumatic valves can be equipped with solenoid valves, position feedback or positioning regulators according to customer needs to achieve automatic control or flow adjustment of the valve.



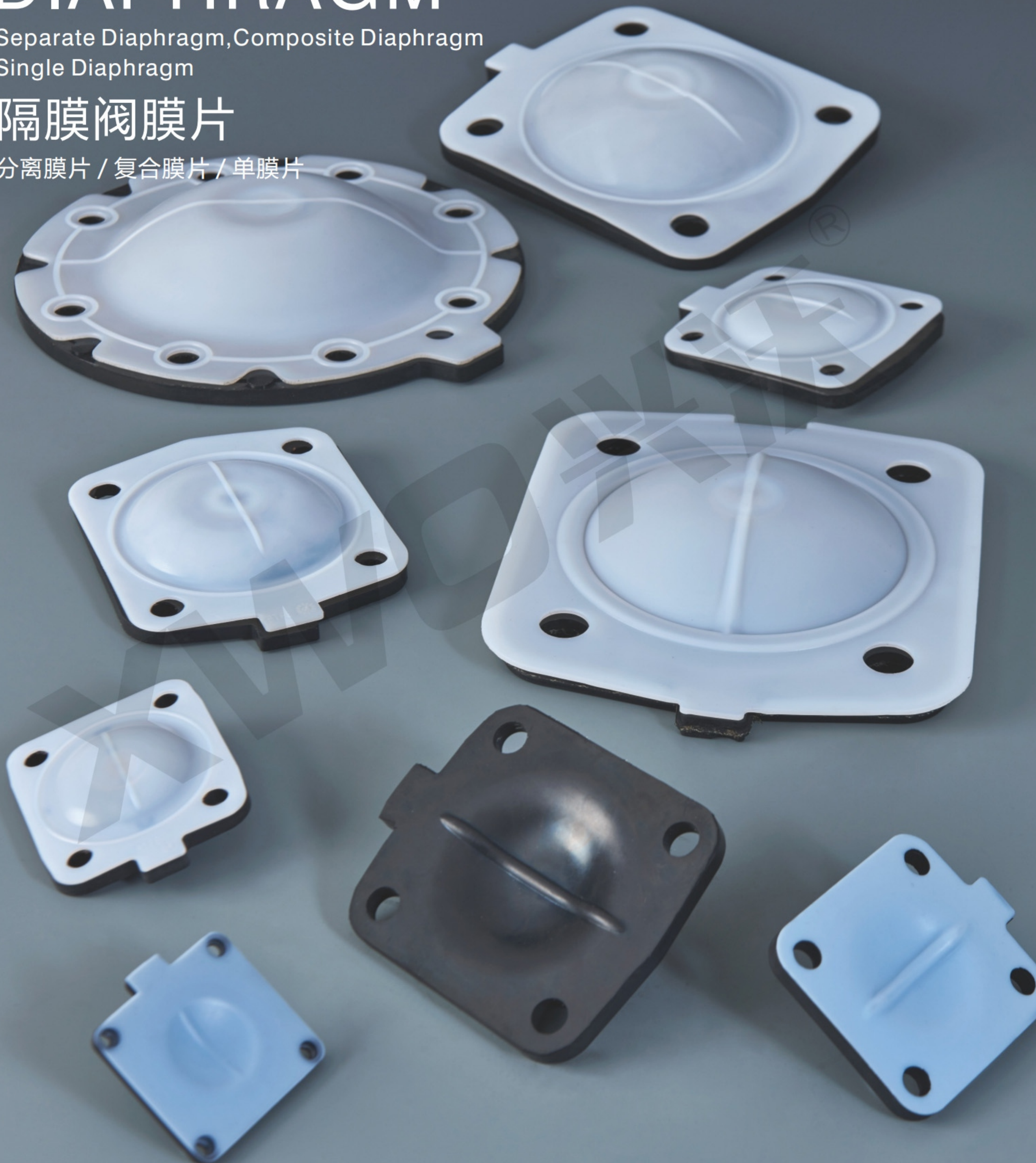
控制器	 信息反馈	 智能定位器	 机械式定位器	 C-TOP控制器		
执行器	 隔膜气动头	 不锈钢气动	 宝德气动	 蘑菇头气动	 不锈钢手动	 复合手动
膜片	 硅胶密封	 EPDM密封	 EPDM/PTFE复合	 EPDM/PTFE分体		
阀体	 直通型	 T型	 多通道	 SAP / GMP	 罐底阀	

# DIAPHRAGM VALVE DIAPHRAGM

Separate Diaphragm, Composite Diaphragm  
Single Diaphragm

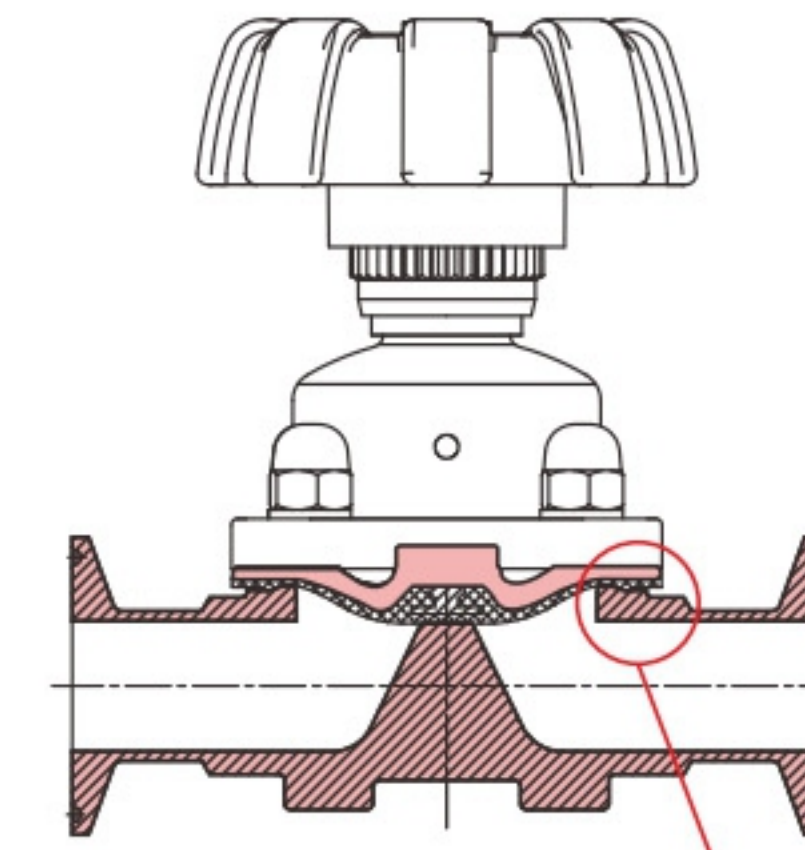
## 隔膜阀膜片

分离膜片 / 复合膜片 / 单膜片

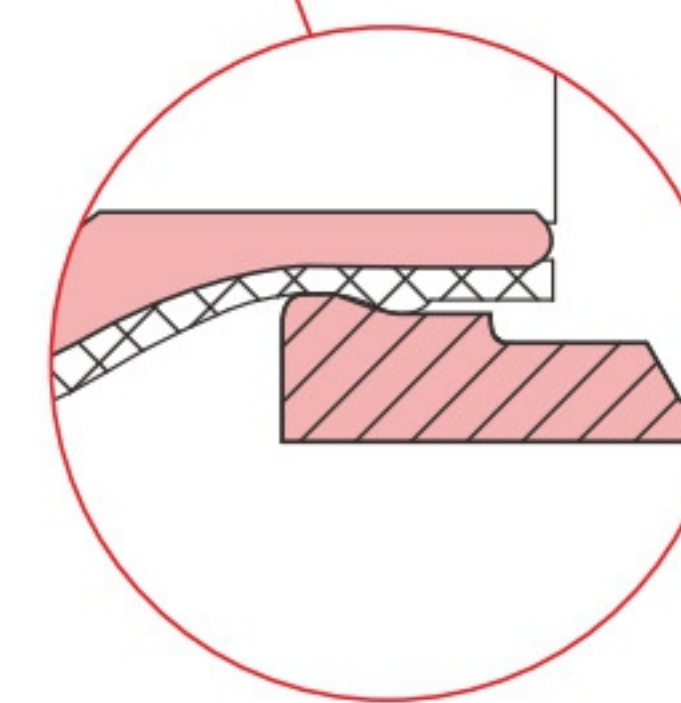


## 膜片

### DIAPHRAGM



隔膜阀  
无残留



#### 膜片

与传统的隔膜阀阀体不同, 无菌隔膜阀阀体上有一条紧密扣在内径上的密封突起, 这可以减少膜片与阀体之间的环形间隙。隔膜阀的这一特点使之特别适用于无菌制程。

#### DIAPHRAGM

Different from the traditional diaphragm valve body, the aseptic diaphragm valve body has a sealing protrusion that tightly snaps on the inner diameter, which can reduce the annular gap between the diaphragm and the valve body. This feature of the diaphragm valve makes it particularly suitable for aseptic processes.

#### 膜片材质

膜片有EPDM软性人造橡胶和TFM硬性人造橡胶两种可供选择, 可选单双膜片。双膜片设计允许两片隔膜片各自独立的工作, 这样可以减少因不同的热属性而引起的张紧。每种应用有不同的工作条件, 因此对隔膜也有不同的要求。为选出最适合您的膜片, 需要考虑以下因素: 工作压力、应用温度、工艺流体。EPDM能够适用于大多数应用工况, 部分高温工况需要使用TFM材质膜片。

#### DIAPHRAGM MATERIAL

Diaphragms are available in EPDM rubber and TFM rubber, with single and double diaphragms optional. The dual diaphragm design allows the two diaphragms to operate independently, which reduces tension caused by different thermal properties. Each application has different operating conditions and therefore different requirements for the diaphragm. To select the diaphragm that is best for you, consider the following factors: operating pressure, application temperature, process fluid. EPDM can be suitable for most application conditions, and some high-temperature conditions require the use of TFM material diaphragms.

#### 技术参数

##### TECHNICAL PARAMETERS

项目	数据
控制方式	手动 气动常闭/双动
自动控制	反馈装置, 自动调节器, 气缸行程开关
阀体材质	CF3M(316L), 1.4435(316L)
膜片材质	EPDM, EPDM+PTFE
尺寸规格	DN10-DN80
连接方式	焊式/卡式/焊卡式 ASME BPE, 3A, ISO, DIN
表面处理	外表面喷砂 内表面Ra≤0.5μm(SF1), Ra≤0.375μm(SF4)



膜片可单独购买

接口口径		DN10~DN50	DN65/DN80
工作环境	EPDM	工作压力	10bar
		流体介质	-10°C~130°C, 14~212°F
	EPDM+TFM	工作压力	6bar, 87psi
		流体介质	-10°C~150°C, 14~212°F
控制压力	常闭(NC)	工作压力	5-6bar, 72-87psi
		蒸汽灭菌	150°C, 302°F max.60min
	常开(NO)	工作压力	5.5bar, 79psi
		蒸汽灭菌	150°C, 302°F no.limit
双动(DA)	工作压力	5.5bar, 79psi	
	蒸汽灭菌	150°C, 302°F no.limit	
气动接口		G1/8"	G1/4"

EPDM和TFM膜片若长期在上述温度下使用, 会导致膜片使用寿命减少。因此需要视情况调整保养周期。TFM膜片也可以用于截止蒸汽, 但这会造成使用寿命的降低, 应当调整保养周期。

# 无菌取样隔膜阀

## ASEPTIC SAMPLING DIAPHRAGM VALVE

符合FDA要求	USP VI级	证书与许可证EHEDG	空气条例	BAM	介质兼容性	特点
•	•	•	•	•	非常好的全方位合成橡胶, 耐受多种酸性和碱性介质、高温去矿物质和去离子水、惰性气体和其他多种工业气体。	真空适用, 较小的气体渗透率, 可用于蒸汽消毒。 膜片的复合物和结构专门针对蒸汽应用进行了优化, 明显提高了使用寿命。
•	•	•	•	•	几乎可耐受强酸、强碱、盐等所有化学品以及高温、蒸汽、WFI和医药品。 良好耐受溶剂、氯和芳香烃。	凹面复合膜片, 可用于蒸汽。 较小的气体渗透率。 凸面二分式膜片, 带单独的PTFE介质接触面 (用于频繁开关切换), 可持续应用于蒸汽。 特殊的密封轮廓可向外密封到膜片的底面, 较小的气体渗透率。

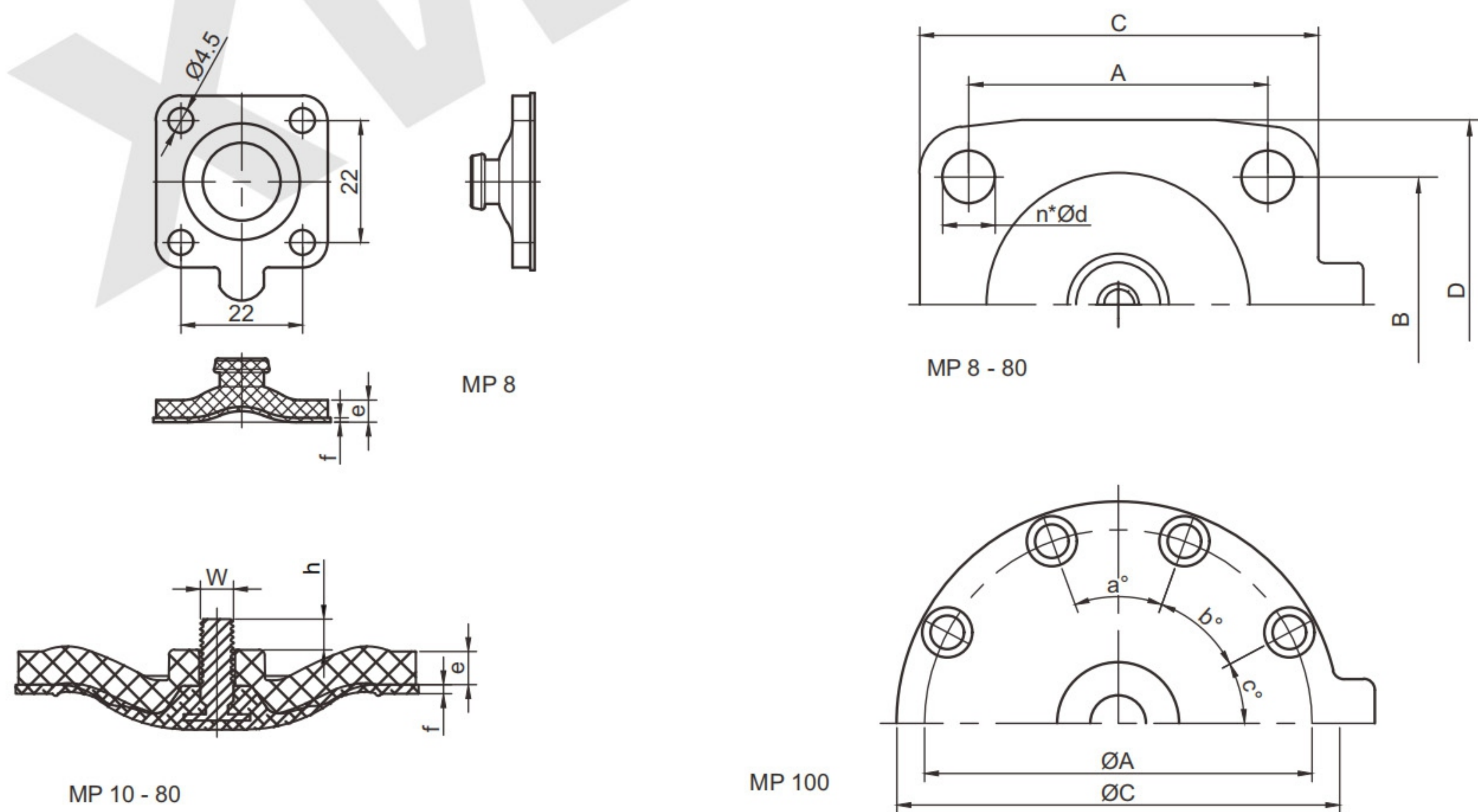
### EPDM+PTFE双层膜片尺寸【MM】

Epdm+ptfe Double-layer Diaphragm Size [mm]

Seal *	Size	A	B	C	D	Ød	e	f	h	W	a	b	c	n
8	DN4-15 1/4"-1/2"	22	22	32	32	4.5	4	0.5	5.5	-	-	-	-	4
10	DN10-20 3/8"-3/4"	39	44	48	53	5.5	5	0.5	9	M4	-	-	-	4
25	DN15-25 1/2"-1"	54	46	72	67	9.5	6	1.6	8	1/4"	-	-	-	4
40	DN32-40 1 1/4" - 1 1/2"	70	65	100	90	11.5	7	1.6	8	1/4"	-	-	-	4
50	DN50 2"	82	78	124	106	13	7	1.6	7	1/4"	-	-	-	4
80	DN80 3"	127	114	186	156	18	9	2	8	5/16"	-	-	-	4
100	DN100 4"	194	-	228	-	13	10	2	9	5/16"	28°	42°	40°	8

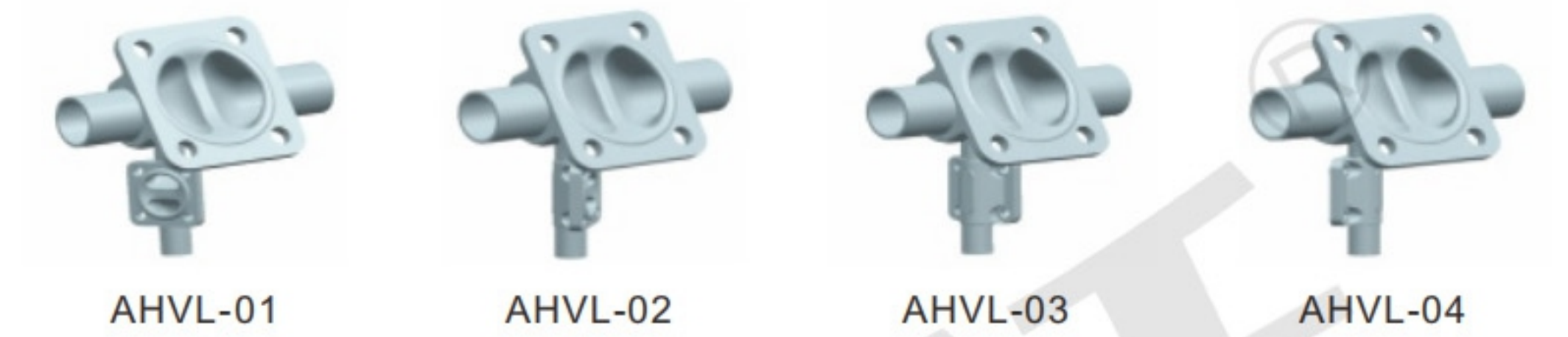
\*: 膜片尺寸

膜片销的螺纹符合Whitworth标准

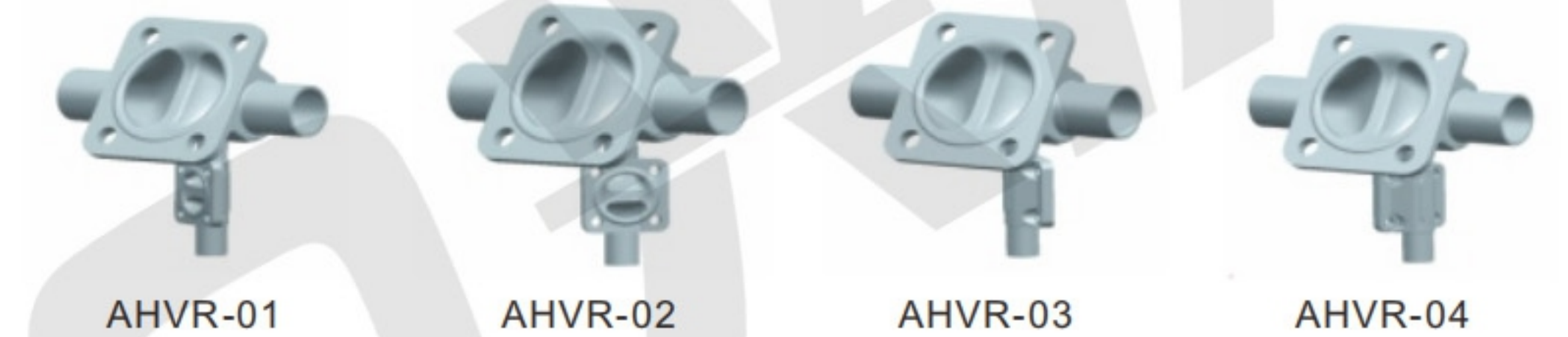


串联阀有各种不同的角度和位置可供选择。串联阀有锻造材质或铸造材质可供选择 (如图所示)。

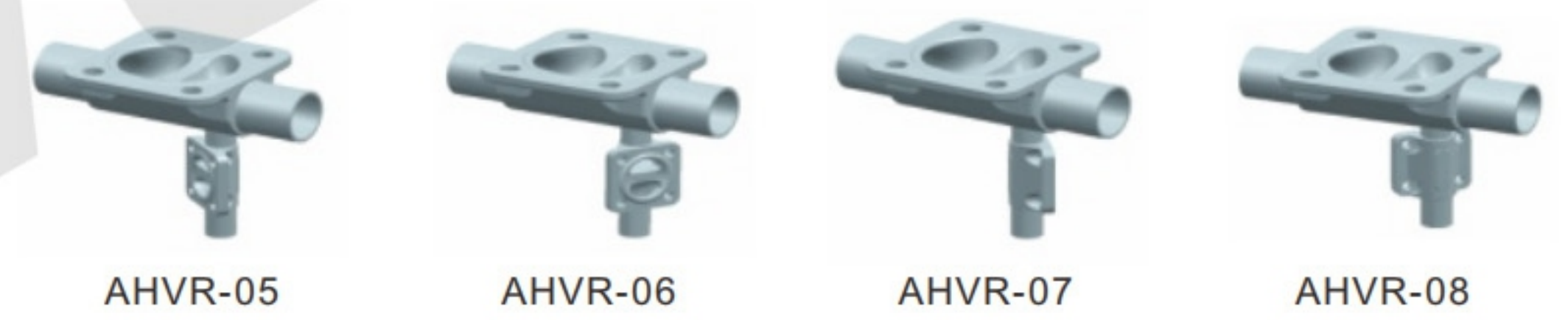
主阀水平自排尽安装, 支阀左侧垂直安装。



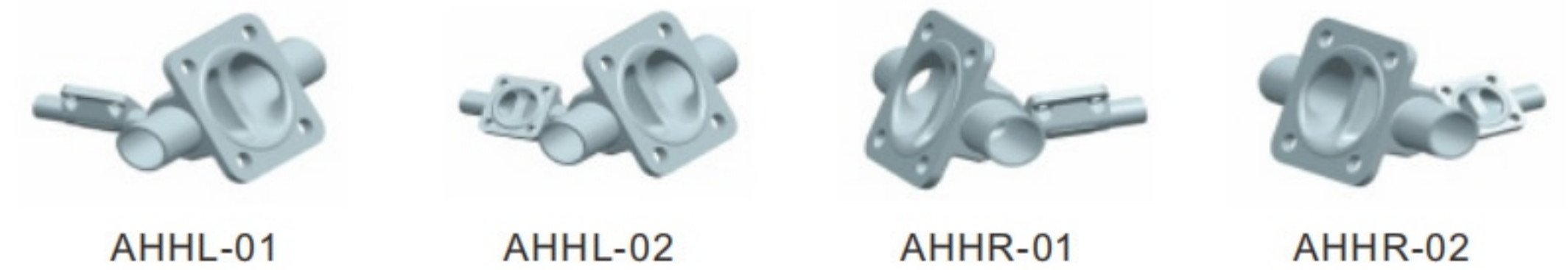
主阀水平自排尽安装, 支阀右侧垂直安装。



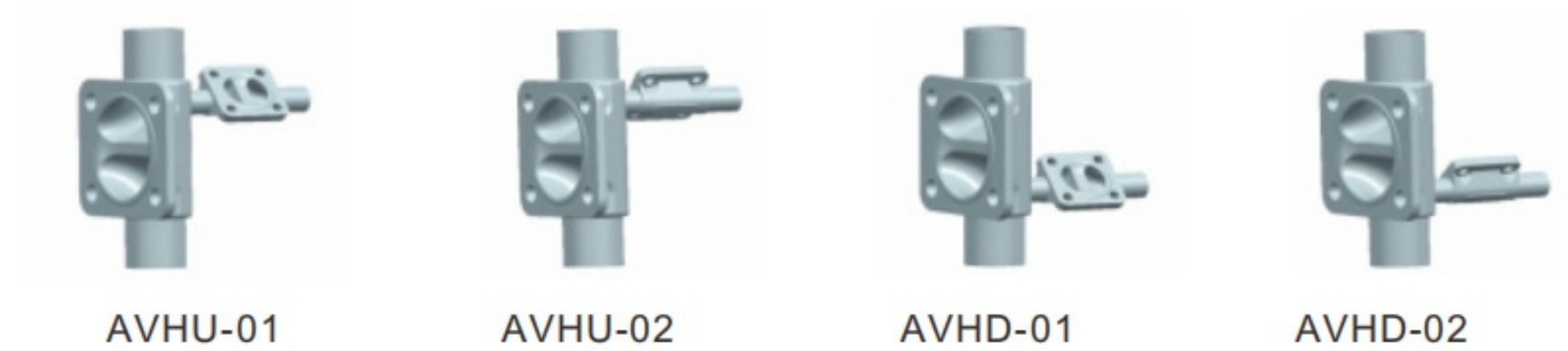
主阀水平向上安装, 支阀右(左)侧垂直安装。



主阀水平自排尽安装, 支阀左侧水平自排尽安装。



主阀垂直安装, 支阀上部水平自排尽安装。



# 阀体

## VALVE BODY

### 概述

我们提供一应俱全并得到普遍认可的各种高质量阀体。有铸造、锻造两种制造方式可选，并严格控制铁素体含量和硫含量。铸造成型的隔膜阀阀体具有良好的经济性，参照美标选用的优质材料能够具有更好的通用性。锻造成型并精密加工的阀体具有极致密的结构和更好的化学稳定性，在抗表面氧化和长期的抗腐蚀性能方面，锻造阀体具有显著的优势，因而在长期使用过程中能够更好的保证产品的高品质。

### OVERVIEW

We provide a comprehensive range of high-quality valve bodies that are universally recognized. There are two manufacturing methods available: casting and forged, and the ferrite content and sulfur content are strictly controlled. The cast diaphragm valve body has good economy, and the high-quality materials selected according to American standards can have better versatility. The forged and precision-machined valve body has an extremely dense structure and better chemical stability. In terms of surface oxidation resistance and long-term corrosion resistance, the forged valve body has significant advantages, so it can ensure the high quality of the product during long-term operation.

阀体形式	铸造	锻造	锻块
两通阀	●	●	
T型阀	●	●	●
串联阀	●	●	●
多通道阀			●

类型	铸造	锻造 / 锻块
材料	CF3M (316L)	1.4435 (316L)
铁素体	< 15%	< 0.5%
硫含量	< 0.04%	0.005-0.017%

### 自排尽功能介绍

无菌隔膜阀拥有出色的自排尽性能，能够在横向安装和纵向安装时都保持优秀的自排尽能力。利用阀门自排尽的特性需要管路设计者和使用者的配合。影响自排尽的因素主要包括以下方面：

- 阀门尺寸和管道规格
- 内表面光洁度和处理方式(Ra)
- 排空方向
- 介质的表面张力和粘稠度
- 管道的设计倾角 - 推荐采用2~3度

### INTRODUCE THE SELF-DRAINING FUNCTION

Aseptic diaphragm valves have excellent self-draining performance and can maintain excellent self-draining capabilities in both horizontal and vertical installations. Utilizing the self-draining characteristics of valves requires the cooperation of pipeline designers and users.

There are some factors affecting self-drainage mainly include the following aspects:

- Valve sizes and pipe specifications
- Internal surface finish and treatment (Ra)
- Empty direction
- Surface tension and viscosity of the medium
- Design inclination angle of the pipeline - 2~3 degrees is recommended

### 自排放角度对照表

SELF-DISCHARGE ANGLE COMPARISON TABLE

尺寸	3/8"	1/2"	3/4"	1.0"	1 1/2"	2.0"	2 1/2"	3.0"	4.0"
α	23.5°	19°	21°	27.5°	25.5°	21°	31.5°	22.5°	19°



# 比例调节隔膜阀

## PROPORTIONAL REGULATING DIAPHRAGM VALVE



### 工作原理

智能调节定位器是一款基于微处理器控制的阀门开度调节器。阀门的开度大小可通过外部输入信号来设定，可广泛应用于工业流体控制系统中，并实现远程自动控制。

### WORKING PRINCIPLE

The intelligent adjustment positioner is a valve opening regulator based on microprocessor control. The opening of the valve can be set through external input signals, and can be widely used in industrial fluid control systems and achieve remote automatic control.

### 特点

1. 结构紧凑，外形小巧，更好的满足空间限制；
2. 性能稳定可靠，反应灵敏；
3. 大屏LCD显示，操作简便；
4. 标准电气接口，接线方便；
5. 调节精度高，抗干扰能力强；
6. 弹簧弹出式反馈杆，安装方便；
7. 接口丰富，可适应多口径连接。

### FEATURES

1. Compact structure and small appearance, better meeting space constraints;
2. Stable and reliable performance, sensitive response;
3. Large-screen LCD display, easy to operate;
4. Standard electrical interface, convenient wiring;
5. High adjustment accuracy and strong anti-interference ability;
6. Spring pop-up feedback lever, easy to install;
7. Rich interfaces, adaptable to multi-diameter connections.

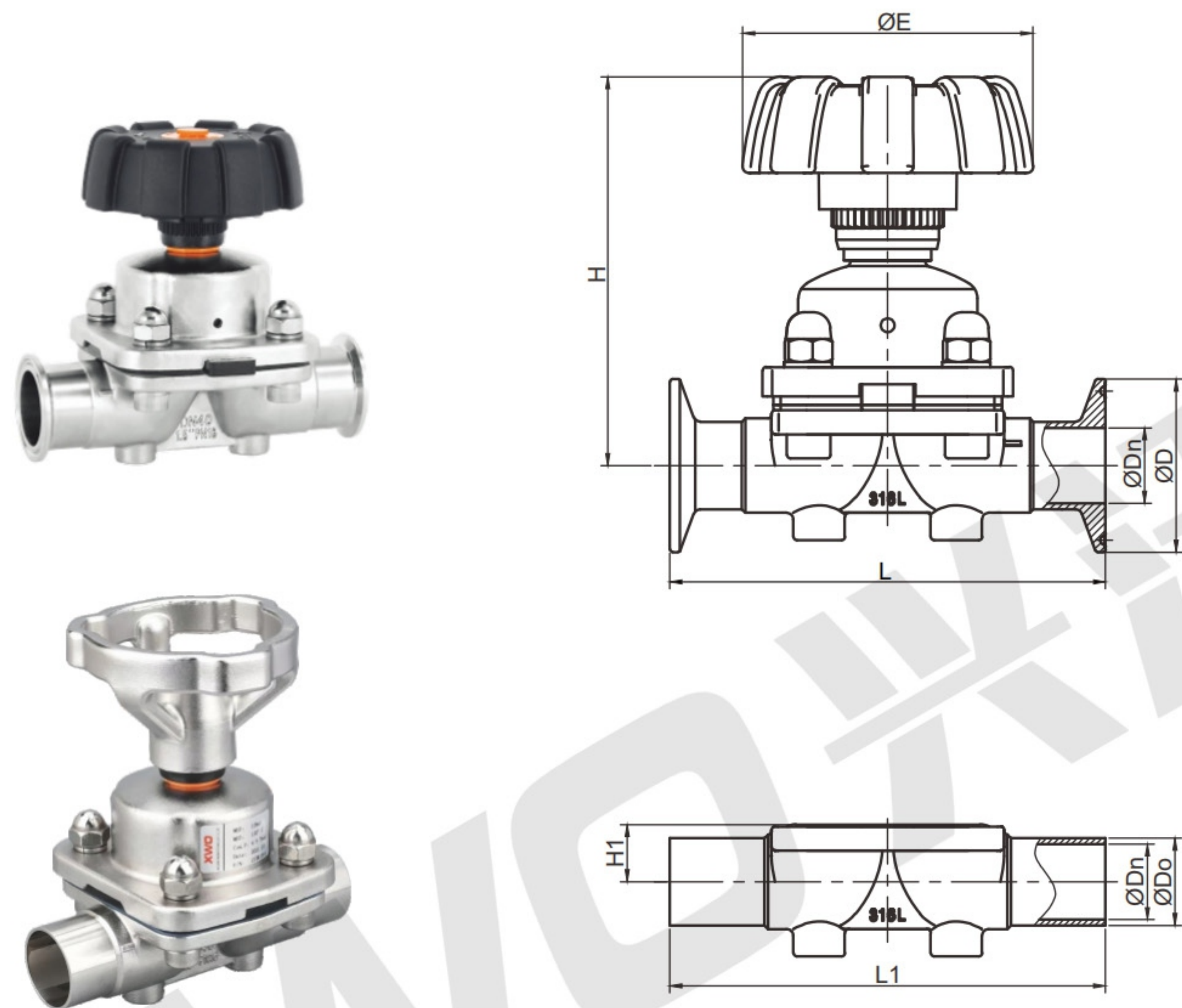
### 技术参数

TECHNICAL PARAMETERS

工作电压	DC12V~DC36V(机械式)/DC12V~DC30V(无触点式)
工作电流	MAX.300mA(机械触点式)/MAX.100mA(无触点式)
指示灯	直观反应阀门启闭状态
环境温度	-10°C~+60°C
环境湿度	≤90%RH
防护等级	Ip65
防爆等级	Ex nA IIC T4
壳体材质	PA6-GF30+PC
开关方式	机械触点式/磁感无触点式
输出选择	0S2-四线PNP/四线NPN/三线PNP 0S3-多输出/无触点
接线方法	旋开透明盖，将电缆从电缆口穿入，并连接到需求的端子上。

## 手动隔膜阀

MANUAL DIAPHRAGM VALVE

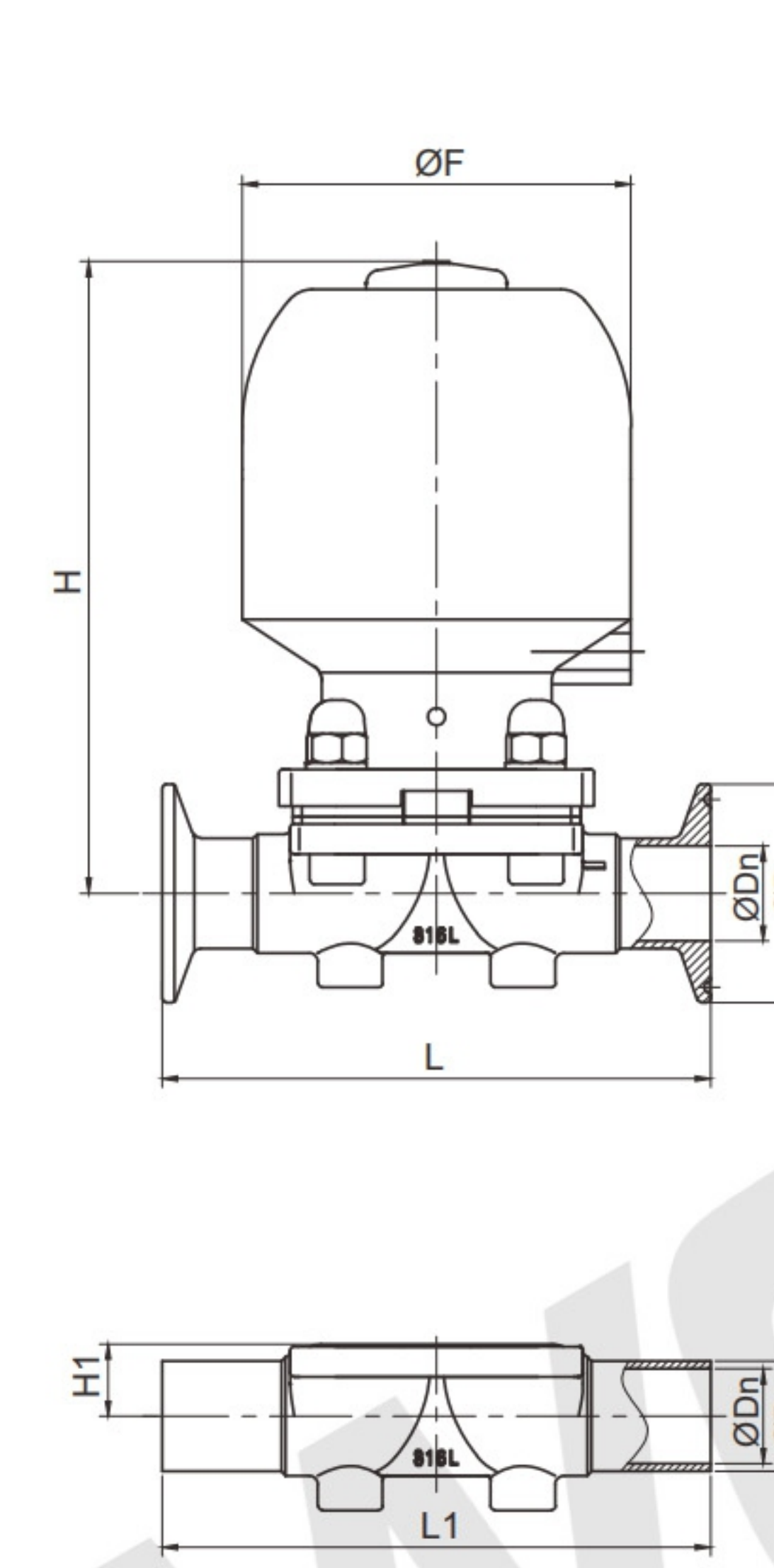


手动隔膜阀  
Manual Diaphragm Valve

Seal	Size	D	Do	Dn	L	L1	H	H1	E
8	DN8 1/4"	25.2	6.35	4.3	63.5	63.5	65	8	36
	DN10 3/8"	25.2	9.5	7.5	63.5	63.5	65	8	36
	DN15 1/2"	25.2	12.7	9.4	63.5	63.5	65	8	36
10	DN15 1/2"	25.2	12.7	9.4	108	108	73	11.5	65
	DN20 3/4"	50.5	19.1	15.8	117	117	75	11.5	65
25	DN20 3/4"	50.5	19.1	15.8	127	127	113	16	85
	DN25 1"	50.5	25.4	22.1	127	127	115	17	85
40	DN32 1.25"	50.5	31.8	28.5	146	146	133	20	105
	DN40 1.5"	50.5	38.1	34.8	159	159	135	22	105
50	DN50 2"	64	50.8	47.5	190	190	156	31	125
	DN65 2.5"	77.5	63.5	59.5	190	190	160	37	125
80	DN65 2.5"	77.5	63.5	59.5	265	240	250	42	210
	DN80 3"	91	76.2	72.2	265	240	256	50	210
100	DN100 4"	119	101.6	97.4	340	310	268	61	210

## 气动隔膜阀(不锈钢执行器)

PNEUMATIC DIAPHRAGM VALVE(STAINLESS STEEL ACTUATOR)



气动隔膜阀  
Pneumatic Diaphragm Valve

Seal	Size	D	Do	Dn	L	L1	H	H1	F
8	DN8 1/4"	25.2	6.35	4.3	63.5	63.5	95	8	44
	DN10 3/8"	25.2	9.5	7.5	63.5	63.5	95	8	44
	DN15 1/2"	25.2	12.7	9.4	63.5	63.5	95	8	44
10	DN15 1/2"	25.2	12.7	9.4	108	108	111	11.5	58
	DN20 3/4"	50.5	19.1	15.8	117	117	114	11.5	58
25	DN20 3/4"	50.5	19.1	15.8	127	127	146	16	90
	DN25 1"	50.5	25.4	22.1	127	127	146	17	90
40	DN32 1.25"	50.5	31.8	28.5	146	146	180	20	112
	DN40 1.5"	50.5	38.1	34.8	159	159	180	22	112
50	DN50 2"	64	50.8	47.5	190	190	215	31	138
	DN65 2.5"	77.5	63.5	59.5	190	190	221	37	138
80	DN65 2.5"	77.5	63.5	59.5	265	240	345	42	168
	DN80 3"	91	76.2	72.2	265	240	345	50	168
100	DN100 4"	119	101.6	97.4	340	310	400	61	198

## 气动隔膜阀(蘑菇头执行器)

PNEUMATIC DIAPHRAGM VALVE(MUSHROOM HEAD ACTUATOR)



气动隔膜阀  
Pneumatic Diaphragm Valve

Seal	Size	D	Do	Dn	L	L1	H	H1	F
25	DN20 3/4"	50.5	19.1	15.8	127	127	175	16	130
	DN25 1"	50.5	25.4	22.1	127	127	178	17	130
40	DN32 1.25"	50.5	31.8	28.5	159	159	205	20	160
	DN40 1.5"	50.5	38.1	34.8	159	159	207	22	160
50	DN50 2"	64	50.8	47.5	190	190	225	31	160
	DN65 2.5"	77.5	63.5	59.5	190	190	230	37	160
80	DN65 2.5"	77.5	63.5	59.5	265	240	345	42	220
	DN80 3"	91	76.2	72.2	265	240	345	50	220
100	DN100 4"	119	101.6	97.4	340	310	400	61	270

## 三通隔膜阀

TEE PNEUMATIC DIAPHRAGM VALVE



### 无菌锻造隔膜阀特点

- 结构紧凑、充分自排尽,无死角。
- 锻造阀体在长期的抗表面氧化和耐腐蚀性方面有明显优势。
- 先进设备一体化加工,安装更安全、可靠。
- 结构紧凑,符合 ASME BPE 结构设计。保证阀内介质流动和循环,从而避免采用口存在流体滞留区而引发的细菌滋生隐患。

### 无菌铸造隔膜阀特点

- 结构紧凑、充分自排尽,无死角。
- 先进铸造技术,铸造本体铁素体含量严格控制在标准范围内。
- 先进设备一体化加工,安装更安全、可靠。
- 主管道尺寸一般大于支管尺寸的设计,保证主管道循环流量。
- 适用于高纯水系统上采用、排尽、用水点。

### FEATURES OF STERILE FORGED DIAPHRAGM VALVE

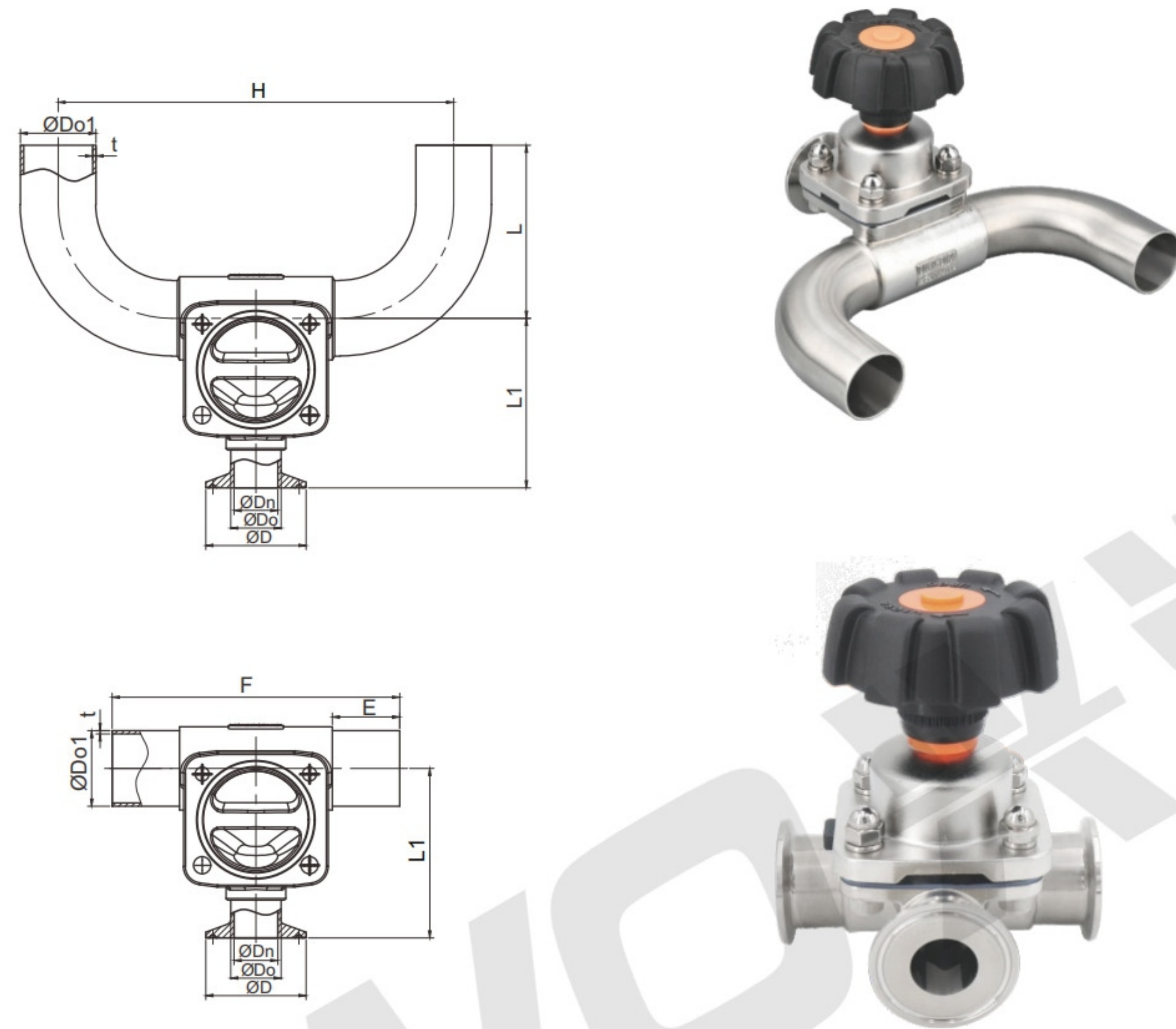
- Compact structure, fully self-draining, no dead ends. Forged valve bodies have obvious advantages in long-term surface oxidation and corrosion resistance.
- Integrated processing with advanced equipment, making installation safer and more reliable.
- Compact structure, in accordance with ASME BPE structural design to ensure the flow and circulation of the medium in the valve, thereby avoiding the presence of orifices, the potential bacterial growth hazards caused by fluid retention areas.

### CHARACTERISTICS OF ASEPTIC CAST DIAPHRAGM VALVE

- Advanced casting technology, the ferrite content of the casting body is strictly controlled within the standard range.
- Integrated processing with advanced equipment makes installation safer and more reliable.
- The main pipe size is generally designed to be larger than the branch pipe size to ensure the main pipe circulation flow.
- Suitable for use, drainage and water use points in high-purity water systems.

## U型三通隔膜阀(铸造)

### U TYPE THREE-WAY DIAPHRAGM VALVE (CAST)



Seal	Size	D	Do	Dn	Do1	t	L	L1	H	E	F
10	DN20/20 3/4"-3/4"	25.2	19.1	15.8	19.1	1.65	54	68	130	30	110
	DN20/25 3/4"-1"	25.2	19.1	15.8	25.4	1.65	68	70	149	30	110
	DN20/40 3/4"-1 1/2"	25.2	19.1	15.8	38.1	1.65	87	77	187	30	110
	DN20/50 3/4"-2"	25.2	19.1	15.8	50.8	1.65	110	83	225	35	120
	DN25/25 1"-1"	50.5	25.4	22.1	25.4	1.65	68	82	171	30	134
25	DN25/40 1"-1 1/2"	50.5	25.4	22.1	38.1	1.65	87	92	209	30	134
	DN25/50 1"-2"	50.5	25.4	22.1	50.8	1.65	110	95	247	35	144
	DN25/65 1"-2 1/2"	50.5	25.4	22.1	63.5	1.65	132	100	285	35	144
32	DN32/32 1 1/4"-1 1/4"	50.5	31.8	28.5	31.8	1.65	78	108	217	30	162
	DN32/40 1 1/4"-1 1/2"	50.5	31.8	28.5	38.1	1.65	87	111	236	30	162
	DN32/50 1 1/4"-2"	50.5	31.8	28.5	50.8	1.65	110	114	274	35	172
	DN32/65 1 1/4"-2 1/2"	50.5	31.8	28.5	63.5	1.65	132	120	312	35	172
40	DN40/40 1 1/2"-1 1/2"	50.5	38.1	34.8	38.1	1.65	87	111	236	30	162
	DN40/50 1 1/2"-2"	50.5	38.1	34.8	50.8	1.65	110	114	274	35	172
	DN40/65 1 1/2"-2 1/2"	50.5	38.1	34.8	63.5	1.65	132	120	312	35	172
50	DN50/50 2"-2"	64	50.8	47.5	50.8	1.65	110	139	296	35	195
	DN50/65 2"-2 1/2"	64	50.8	47.5	63.5	1.65	132	141	340	35	195
65	DN65/65 2 1/2"-2 1/2"	77.5	63.5	60.2	63.5	1.65	110	141	340	35	195
	DN65/80 2 1/2"-3"	77.5	63.5	60.2	76.2	1.65	132	147	378	40	205
80	DN80/80 3"-3"	91	76.2	72.9	76.2	1.65	151	171	448	171	264

## U型三通隔膜阀(锻造)

### U TYPE THREE-WAY DIAPHRAGM VALVE (FORGED)



#### 应用

在生产纯化水(PW)和注射用水(WFI)的循环回路中,应用点之一就是用水点阀。这种阀既要确保循环回路绝对安全,避免环境侵害,又要作为分接点消耗,因此这种阀具有最高级别的安全性、清洁性。

#### APPLICATION

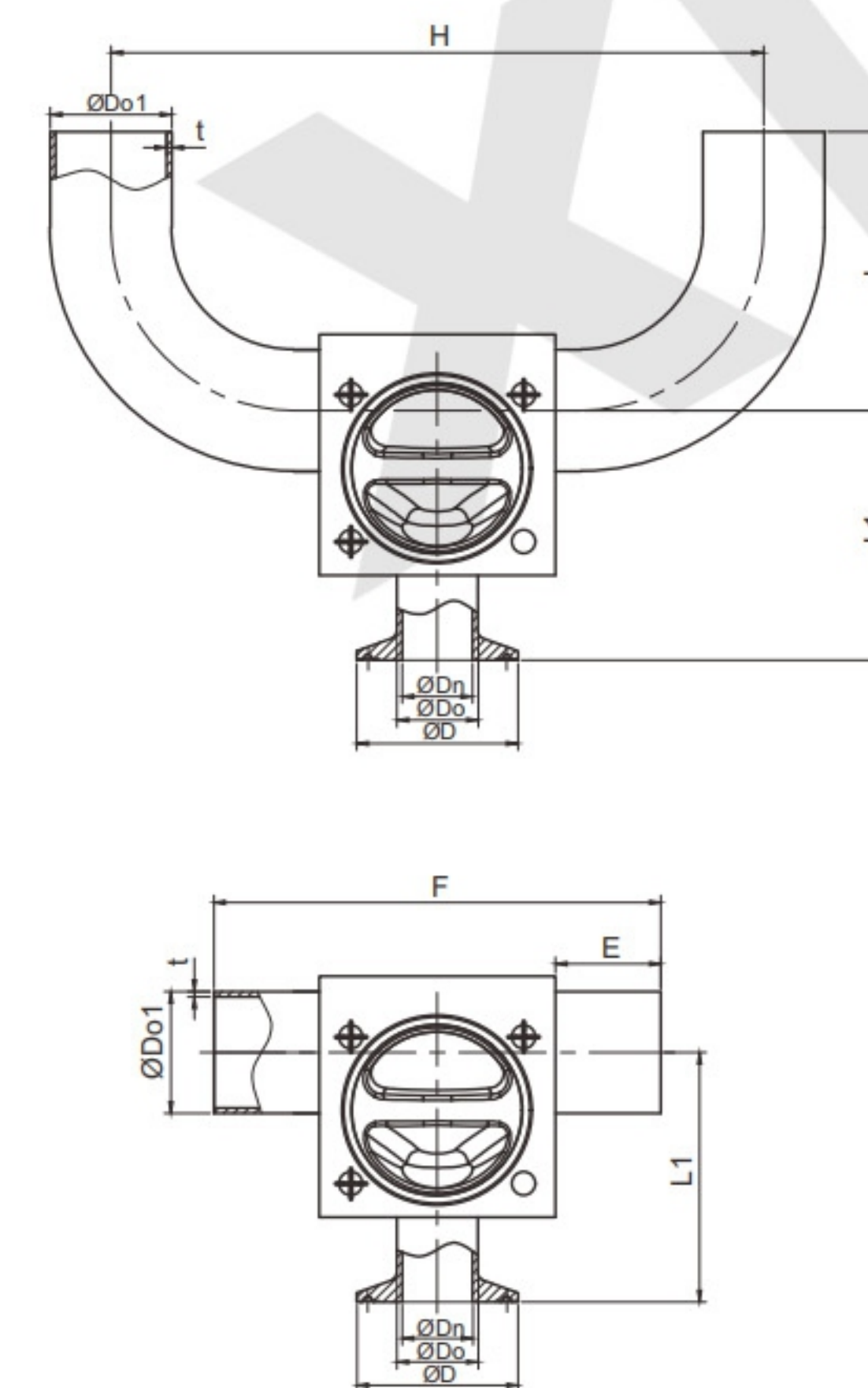
In the circulation loop for the production of purified water (PW) and water for injection (WFI), one of the application points is the water point valve. This kind of valve must not only ensure the absolute safety of the circulation loop and avoid environmental damage, but also serve as a tap point consumption, so this kind of valve has the highest level of safety and cleanliness.

#### 特点

避免U型三通支管焊直通隔膜阀隔堰之间的滞留,减少焊缝数,提高接触表面(MOC)的光洁度,具有最小长度的水平管路。BPE2012:SD-3.1.2.2,消除因出料口产生的流体滞留区造成的细菌滋生隐患,确保循环回路绝对安全。

#### FEATURES

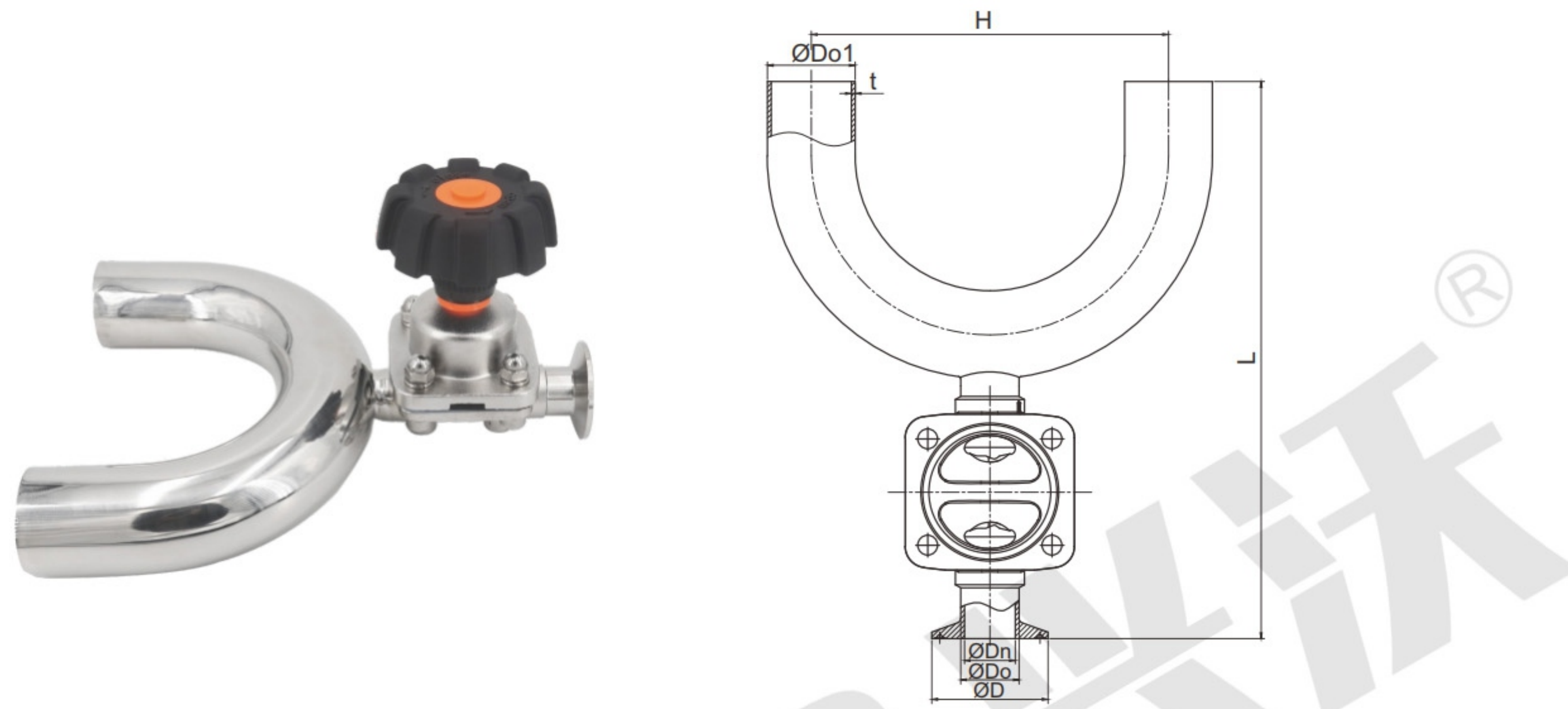
Avoid stagnation between weirs of U-shaped tee branch welding straight-through diaphragm valves, reduce the number of welds, improve the smoothness of the contact surface (MOC), and have a minimum length of horizontal pipelines. BPE2012: SD-3.1.2.2, eliminate the hidden danger of bacterial growth caused by the fluid retention area caused by the discharge port, and ensure the absolute safety of the circulation loop.



Seal	Size	D	Do	Dn	Do1	t	L	L1	H	E	F
10	DN20/20 3/4"-3/4"	25.2	19.1	15.8	19.1	1.65	54	64	124	30	110
	DN20/25 3/4"-1"	25.2	19.1	15.8	25.4	1.65	68	68	143	30	110
	DN20/32 3/4"-1 1/4"	25.2	19.1	15.8	31.8	1.65	78	71	162	30	110
	DN20/40 3/4"-1 1/2"	25.2	19.1	15.8	38.1	1.65	87	74	181	30	110
	DN20/50 3/4"-2"	25.2	19.1	15.8	50.8	1.65	110	80	219	35	120
25	DN20/65 3/4"-2 1/2"	25.2	19.1	15.8	63.5	1.65	132	86	257	35	120
	DN25/25 1"-1"	50.5	25.4	22.1	25.4	1.65	68	77	166	30	134
	DN25/32 1"-1 1/4"	50.5	25.4	22.1	31.8	1.65	78	80	185	30	134
	DN25/40 1"-1 1/2"	50.5	25.4	22.1	38.1	1.65	87	83	204	30	134
	DN25/50 1"-2"	50.5	25.4	22.1	50.8	1.65	110	90	242	35	144
32	DN25/65 1"-2 1/2"	50.5	25.4	22.1	63.5	1.65	132	96	280	35	144
	DN32/32 1 1/4"-1 1/4"	50.5	31.8	28.5	31.8	1.65	78	92	203	30	162
	DN32/40 1 1/4"-1 1/2"	50.5	31.8	28.5	38.1	1.65	87	95	222	30	162
	DN32/50 1 1/4"-2"	50.5	31.8	28.5	50.8	1.65	110	98	260	35	172
40	DN32/65 1 1/4"-2 1/2"	50.5	31.8	28.5	63.5	1.65	132	104	298	35	172
	DN40/40 1 1/2"-1 1/2"	50.5	38.1	34.8	38.1	1.65	87	95	222	30	162
	DN40/50 1 1/2"-2"	50.5	38.1	34.8	50.8	1.65	110	98	260	35	172
50	DN40/65 1 1/2"-2 1/2"	50.5	38.1	34.8	63.5	1.65	132	104	298	35	172
	DN50/50 2"-2"	64	50.8	47.5	50.8	1.65	110	115	281	35	195
	DN50/65 2"-2 1/2"	64	50.8	47.5	63.5	1.65	132	121	319	35	195
65	DN50/80 2"-3"	64	50.8	47.5	76.2	1.65	132	128	357	40	205
	DN65/65 2 1/2"-2 1/2"	77.5	63.5	60.2	63.5	1.65	110	121	340	35	195
80	DN65/80 2 1/2"-3"	77.5	63.5	60.2	76.2	1.65	132	128	378	40	205
	DN80/80 3"-3"	91	76.2	72.9	76.2	1.65	151	160	432	40	264

## U型三通隔膜阀-B

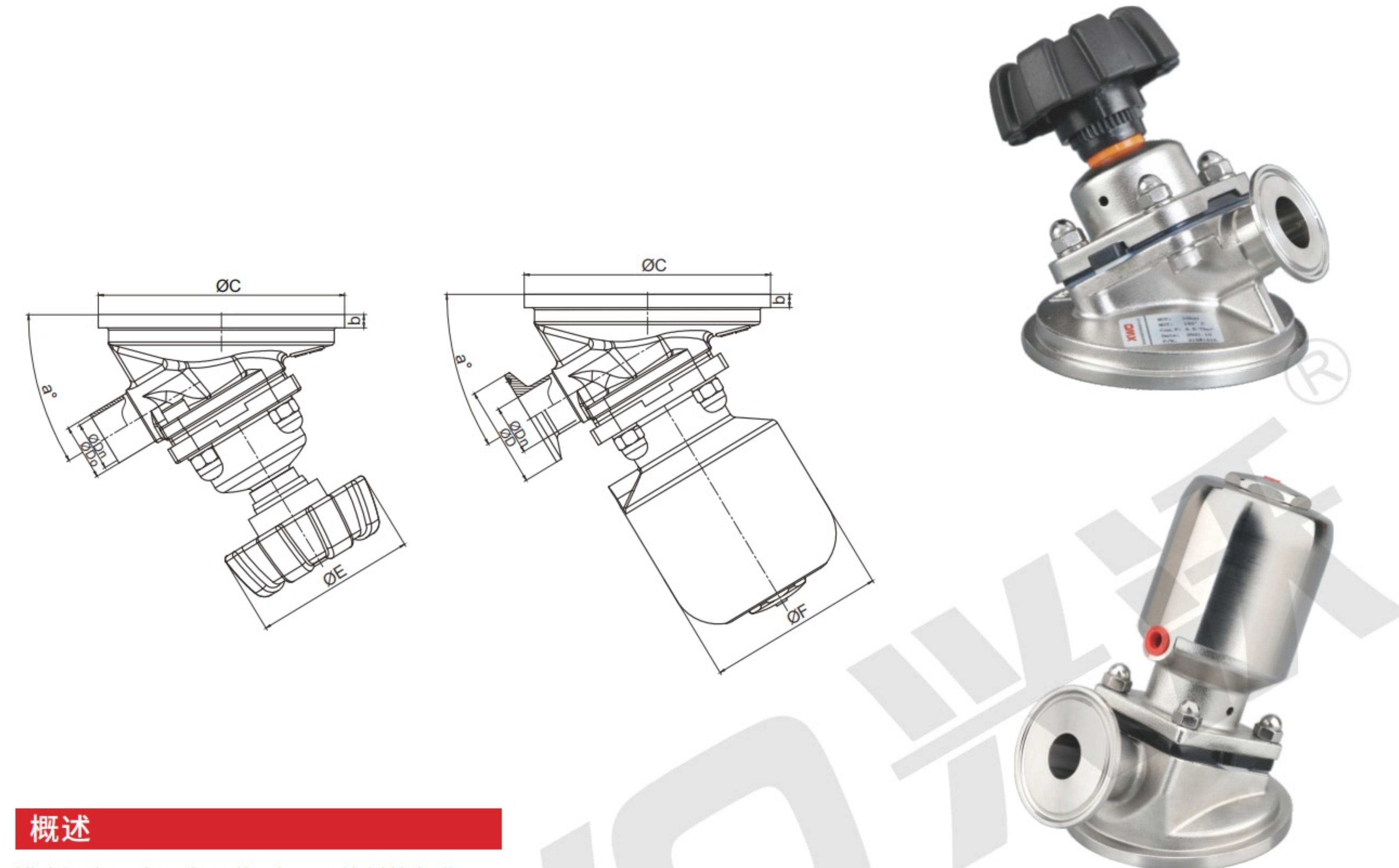
### U-SHAPED THREE-WAY DIAPHRAGM VALVE - B



Seal	Size	D	Do	Dn	Do1	t	L	H
8	10/10 1/2"-1/2"	25.2	12.7	9.4	12.7	1.65	95	55
	10/20 1/2"-3/4"	25.2	12.7	9.4	19.1	1.65	158	105
	20/20 3/4"-3/4"	25.2	19.1	15.8	19.1	1.65	195	105
10	20/25 3/4"-1"	25.2	19.1	15.8	25.4	1.65	197	120
	20/32 3/4"-1 1/4"	25.2	19.1	15.8	31.8	1.65	227	155
	20/40 3/4"-1 1/2"	25.2	19.1	15.8	38.1	1.65	229	155
	20/50 3/4"-2"	25.2	19.1	15.8	50.8	1.65	247	175
	20/65 3/4"-2 1/2"	25.2	19.1	15.8	63.5	1.65	255	190
	25/25 1"-1"	50.5	25.4	22.1	25.4	1.65	205	120
25	25/32 1"-1 1/4"	50.5	25.4	22.1	31.8	1.65	235	155
	25/40 1"-1 1/2"	50.5	25.4	22.1	38.1	1.65	237	155
	25/50 1"-2"	50.5	25.4	22.1	50.8	1.65	255	175
32	25/65 1"-2 1/2"	50.5	25.4	22.1	63.5	1.65	263	190
	32/32 1 1/4"-1 1/4"	50.5	31.8	28.5	31.8	1.65	268	155
	32/40 1 1/4"-1 1/2"	50.5	31.8	28.5	38.1	1.65	270	155
	32/50 1 1/4"-2"	50.5	31.8	28.5	50.8	1.65	288	175
40	32/65 1 1/4"-2 1/2"	50.5	31.8	28.5	63.5	1.65	296	190
	40/40 1 1/2"-1 1/2"	50.5	38.1	34.8	38.1	1.65	270	155
	40/50 1 1/2"-2"	50.5	38.1	34.8	50.8	1.65	288	175
50	40/65 1 1/2"-2 1/2"	50.5	38.1	34.8	63.5	1.65	296	190
	50/50 2"-2"	64	50.8	47.5	50.8	1.65	315	175
	50/65 2"-2 1/2"	64	50.8	47.5	63.5	1.65	323	190
	50/80 2"-3"	64	50.8	47.5	76.2	1.65	345	230

## 罐底隔膜阀

### TANK BOTTOM DIAPHRAGM VALVE



#### 概述

罐底阀主要应用在医药、食品及饮料等行业，一般安装在罐底等处，起到取样、排水的作用，也可集成进行SIP/CIP。罐底阀是在隔膜阀的基础上演变而成的，其密封堰是尽量靠近罐壁，避免罐底的死角。

#### OVERVIEW

Tank bottom valves are mainly used in the pharmaceutical, food and beverage industries. They are generally installed at the bottom of tanks to play the role of sampling and drainage. They can also be integrated for SIP/CIP. The tank bottom valve is evolved on the basis of the diaphragm valve. Its sealing weir is as close as possible to the tank wall to avoid dead corners at the bottom of the tank.

#### 技术参数 TECHNICAL PARAMETERS

项目	数据
工作压力	0-10bar, 145psi(EPDM) 0-7bar, 101psi(EPDM+PTFE)
工作温度	-40~130°C(EPDM) -40~150°C(EPDM+PTFE)
驱动方式	手动/气动
阀体材质	CF3M(316L), 1.4435(316L)锻块
表面处理	外表面喷砂 内表面 Ra ≤ 0.375μm(SF4)
连接方式	焊式/卡式 ISO, DIN, ASME BPE, 3A

#### 罐底阀

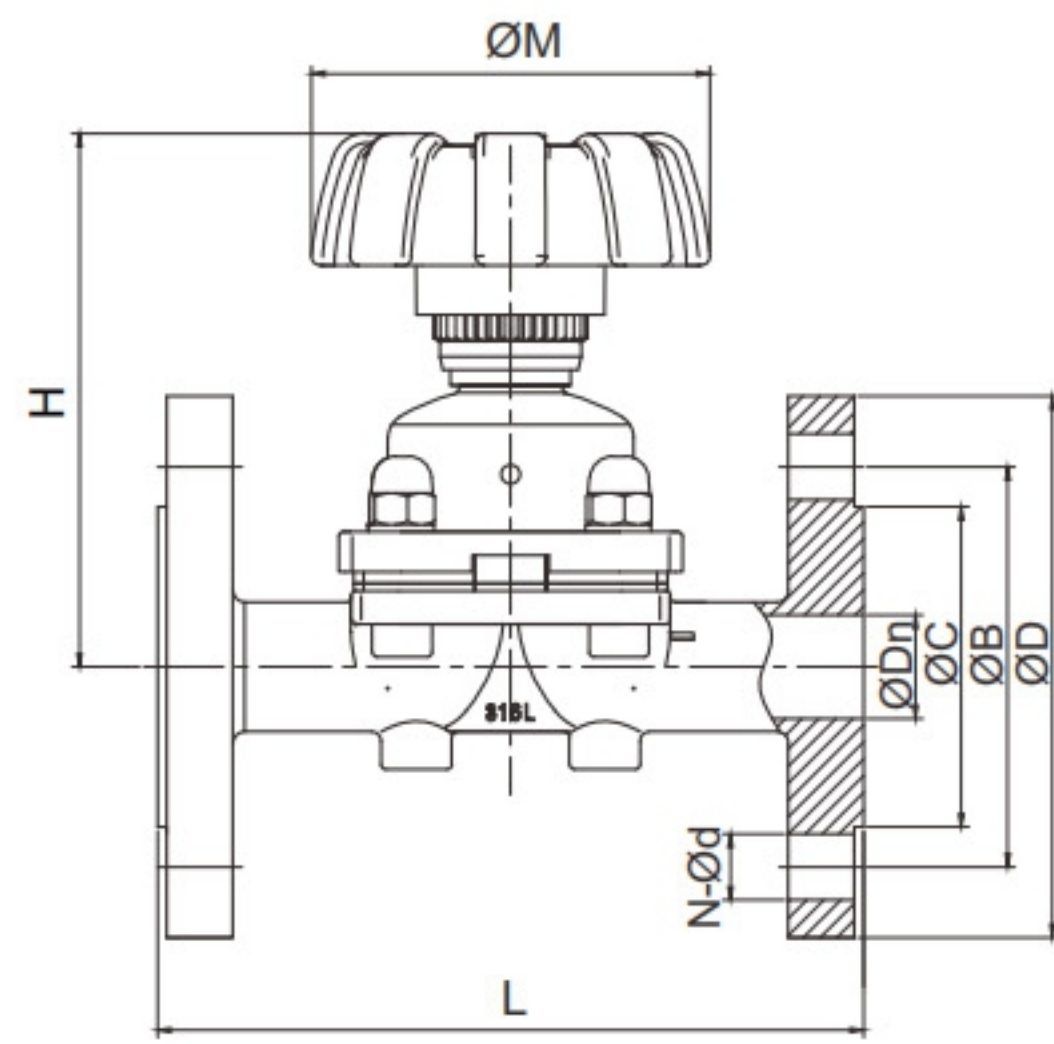
##### Tank Bottom Valve

Size	D	Do	Dn	C	E	F	b	a
1/2"	25.2	12.7	9.4	60	36	44	6	30
3/4"	25.2	19.1	15.8	85	65	58	6	25
1"	50.5	25.4	22.1	120	85	90	6	31
1.25"	50.5	31.8	28.5	160	105	112	6	30
1.5"	50.5	38.1	34.8	160	105	112	6	33
2"	64	50.8	47.5	180	125	138	6	33
2.5"	77.5	63.5	59.5	200	125	136	6	30
3"	91	76.2	72.6	250	210	168	6	33
4"	119	101.6	97.4	320	210	198	6	33



## 法兰隔膜阀

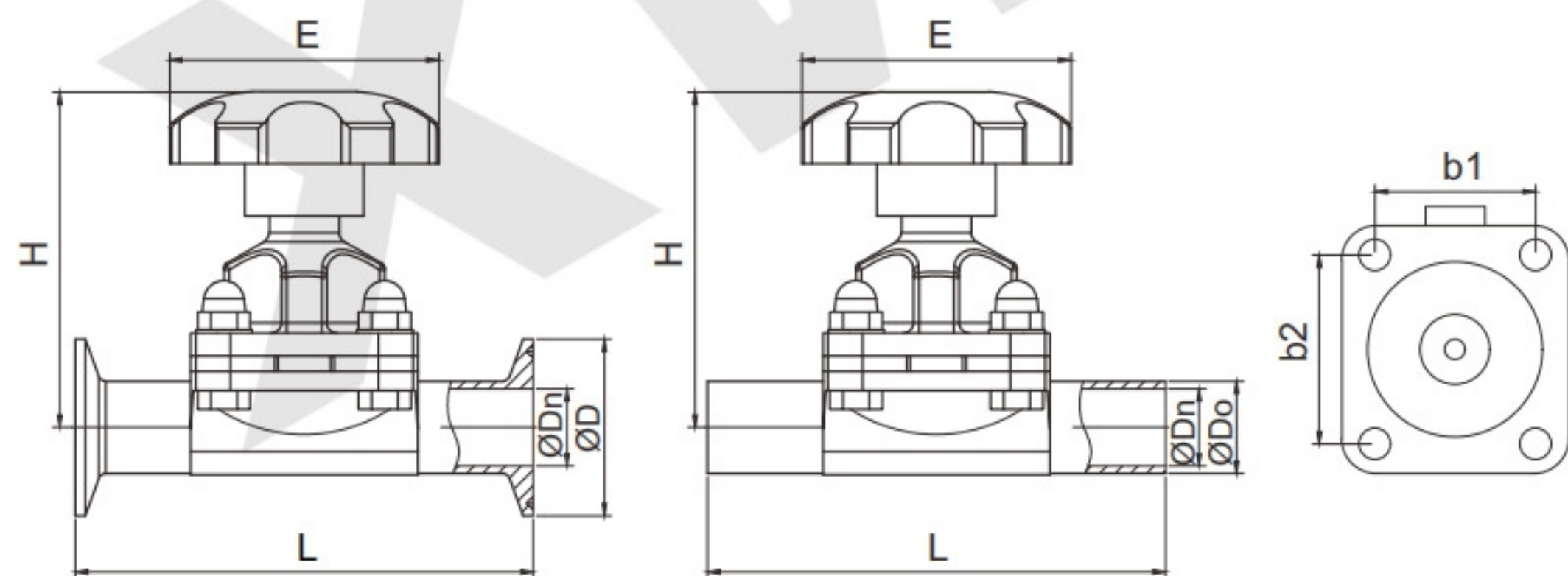
### FLANGE DIAPHRAGM VALVE



Size	Dn	D	B	C	L	H	M	N	d
DN15	9.4	95	65	45	140	73	65	4	14
DN20	15.8	105	75	58	145	75	65	4	14
DN25	22.1	115	85	68	150	113	85	4	14
DN32	28.5	140	100	78	170	133	105	4	18
DN40	34.8	150	110	88	180	135	105	4	18
DN50	47.5	165	125	102	210	156	125	4	18
DN65	60.2	185	145	122	220	160	125	4	18
DN80	72.6	200	160	138	280	256	210	8	18
DN100	97.4	220	180	158	350	268	210	8	18

## 直通隔膜阀(普通型)

### STRAIGHT DIAPHRAGM VALVE (REGULAR TYPE)



Size	D	Do	Dn	L	E	H	b1	b2
DN15	25.2/34/50.5	19.1	16	110	80	100	34	44
DN20	34/50.5	22	19	118	80	105	41	51
DN25	50.5	25.4	22.4	130	80	110	46	56
DN32	50.5	31.8	28.8	150	80	115	54	62
DN40	50.5	38.1	35.1	160	120	135	64	71
DN50	64	50.8	47.8	190	120	145	74	81
DN65	77.5	63.5	59.5	210	140	175	87	87
DN80	91	76.2	72.2	220	140	185	92	105
DN100	119	101.6	97.6	288	180	245	142	153



多通道隔膜阀  
Multi channel diaphragm valve



气动喷涂隔膜阀  
Pneumatic spraying diaphragm valve



手动衬氟隔膜阀  
Manual fluorine lined diaphragm valve



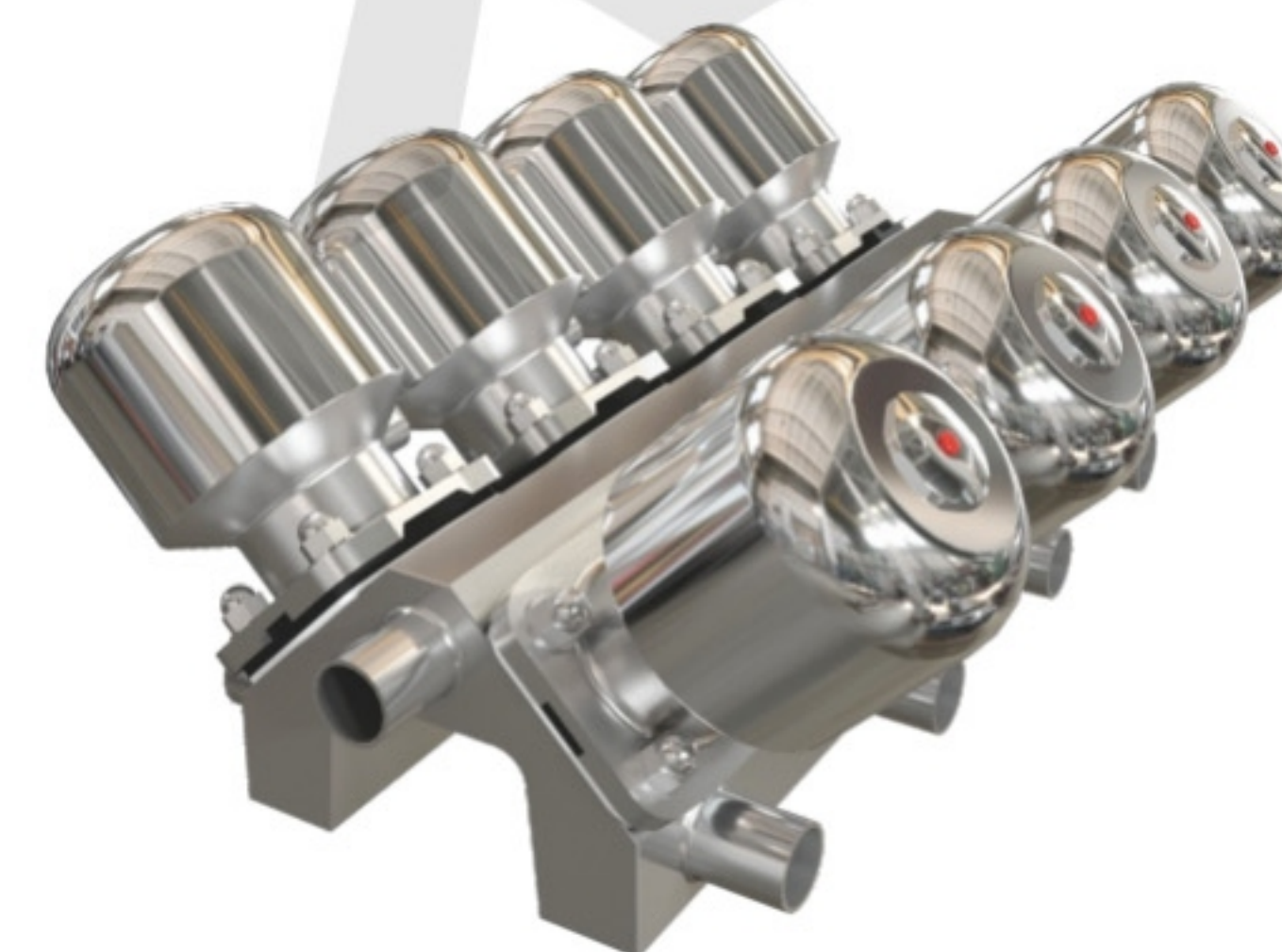
衬氟隔膜阀体  
Fluorine lined diaphragm valve body



多通道隔膜阀(迷你型)  
Multi channel diaphragm valve (mini)



手动法兰喷涂隔膜阀  
Manual flange spraying diaphragm valve



多通道隔膜阀、衬氟隔膜阀、哈氏合金 (C22、C276)、钛合金、904L、2205等特殊材质都可定制。  
Multi channel diaphragm valves, fluorine lined diaphragm valves, Hastelloy (C22, C276), titanium alloy, 904L, 2205 and other special materials can all be customized.