

卫生级过滤器

STRAINER FILTER

应用 / APPLICATIONS

- 卫生级过滤器，主要用于保护泵、仪器仪表和其它设备能正常工作。由于其结构紧凑，过滤能力强，压损小，维护方便等特点，广泛应用于饮料，制药，乳制品等领域。
- Sanitary filter is mainly used in protecting of pumps, instrumentation and other devices to work properly. Because of its compact structure, strong filtering ability, small pressure loss, convenient maintenance and etc. They are widely used in beverage, pharmaceutical, dairy and other fields.

工作原理 / OPERATING PRINCIPLES

- 该过滤器基本上由带进口和出口的过滤体组成，筛网装于过滤体的内部，筛网保留所有等于或大于网孔的颗粒。当过滤器前后压差超出要求或滤芯损坏时，只须将滤芯取出，清洗干净或更换滤芯，重新安装好便可使用。
- The filter consists of a filter body with an inlet and outlet. Filter mesh is installed inside the filter body, the mesh retain all particles, which is equal or larger than mesh. When surrounding pressure of the filter exceeds demand, or when the filter element is damaged, you can remove it, then clean or change a new filter element which is used after reinstallation.

材质 / MATERIALS

- 壳体: 304/316L
- 冲孔板滤芯: 304/316L
- 金属网滤芯: 304/316L
- 密封圈: EPDM (标配)
- 内外表面处理: $Ra \leq 0.8\mu m$
- Filter housing: 304/316L
- Metal mesh: 304/316L
- Perforated plate: 304/316L
- Gasket: EPDM
- Polish: $Ra \leq 0.8\mu m$



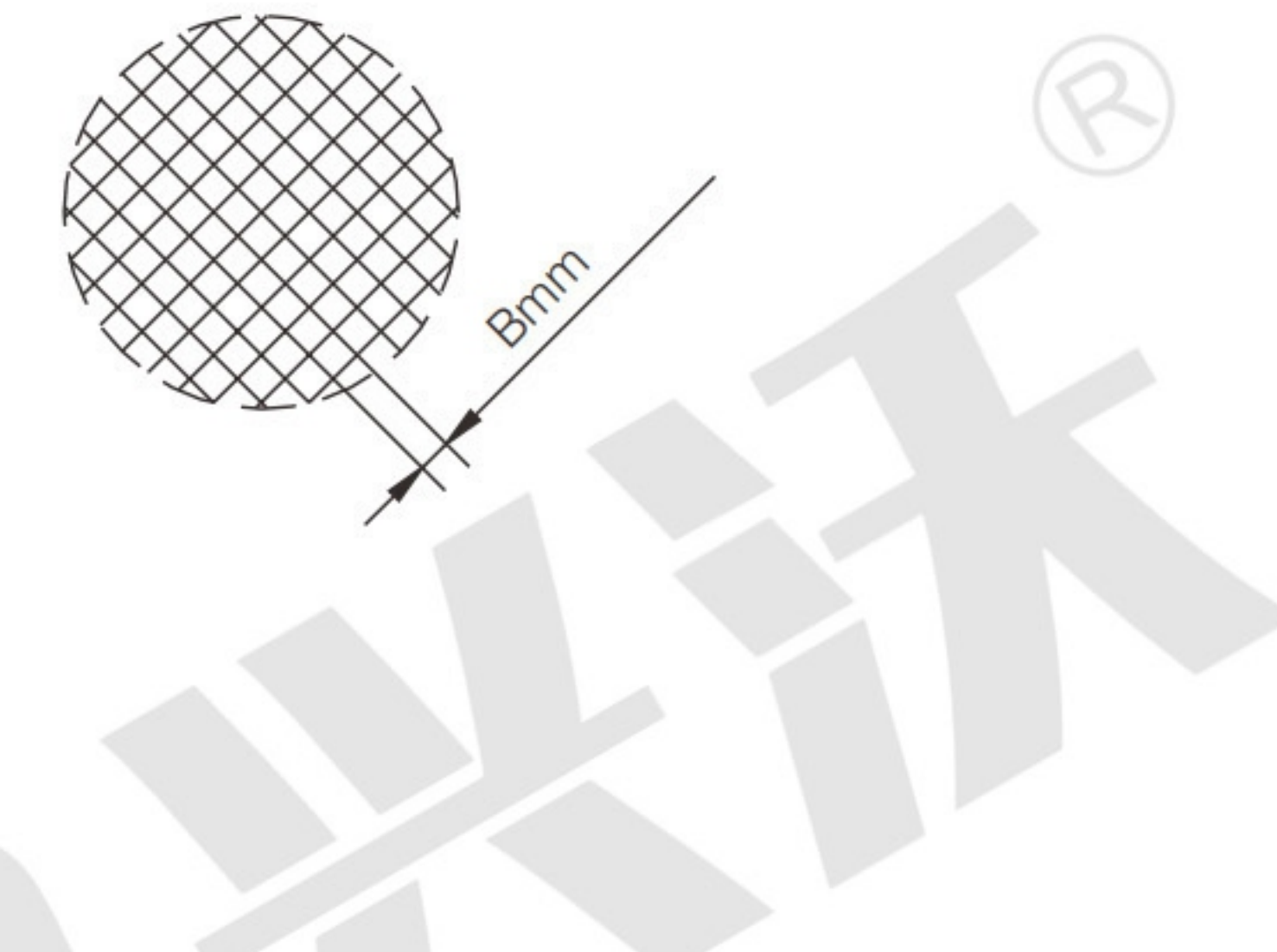
根据使用要求可选用不同的滤芯，其滤芯有三种类型（冲孔板网滤芯，金属丝网滤芯及楔形滤芯）其过滤能力如下：

Different filter element, can be selected according to requirements. There are three types of cores (metal mesh, perforated plate and wedge wire). The filtering capabilities are as follows.

金属丝网滤芯

Metal Mesh

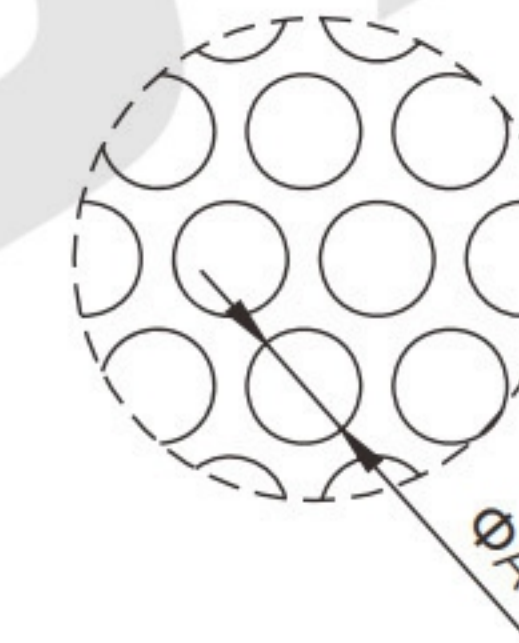
目数 Mesh	B(mm)	有效面积 Effective surface
30	0.55	48
40	0.40	46
60	0.30	52.6
80	0.20	42
100	0.15	36.2
165	0.10	45.4



冲孔板网滤芯

Perforated Plate

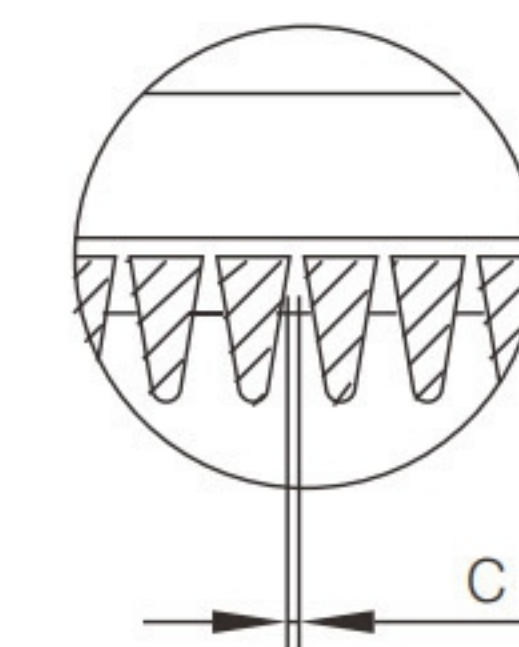
A 孔径(mm)	有效面积 Effective surface
0.5	15
1	28
1.5	33
2	30
3	33
5	46



楔形滤芯

Wedge Wire

目数 Mesh	C(mm)	有效面积 Effective surface
30	0.55	48
40	0.40	46
60	0.30	52.6
80	0.20	42
100	0.15	36.2
165	0.10	45.4



卫生级清洗球 SANITARY CLEANING BALL

应用 / APPLICATIONS

- 旋转式清洗球: 是一种旋转喷头, 它使用清洁剂对储罐进行全面清洗和喷射。由于此设备在低压下使用的洗涤液量较少, 因此它是传统固定喷球的一种有效替代产品。旋转头中采用双滚珠轴承, 这使该类型清洗球系列适用于所有卫生级和工业级清洗应用领域, 包括储罐、反应器和容器等所有卫生级和工业级用品的清洗任务。
- 固定式清洗球: 是食品和饮料行业中一种用来清洗储罐的固定喷球。固定喷球用于要求较低清洁任务。
- Rotary cleaning ball: it's a kind of rotary sprayer, which use cleanser to spray strongly and clean inside of the tank. It is one which is effective replace the traditional fixed cleaning ball for it can be used under low pressure with less detergent. The rotary sprayer use dual ball bearing, so it is suitable for the sanitary and industrial application, include tank, reactor, vessel etc.
- Fixed cleaning ball: it's a type of fixed spray ball of cleaning storage tank. The fixed spray ball is use to cleaning task with lower requirement.



技术参数 / TECHNICAL DATA

- 重量: 视具体规格
- 润滑: 通过清洗液自润滑
- 工作压力: 1-3Bar
- 最高工作温度: 95°C
- 最高环境温度: 140°C
- 湿润半径: 最大 3m
- 喷射清洗半径: 最大有效半径 2m
- 接口: 焊接式、快装式和螺纹式
- Weight: As per specification
- Lubrication by the cleaner itself.
- Working pressure: 1-3Bar
- Max. working temperature: 95°C
- Max. ambient temperature: 140°C
- Moist radius: max. 3M
- Inject cleaning radius: max. effective radius 2M
- Connection: welded, clamped, threaded

材料 / MATERIAL

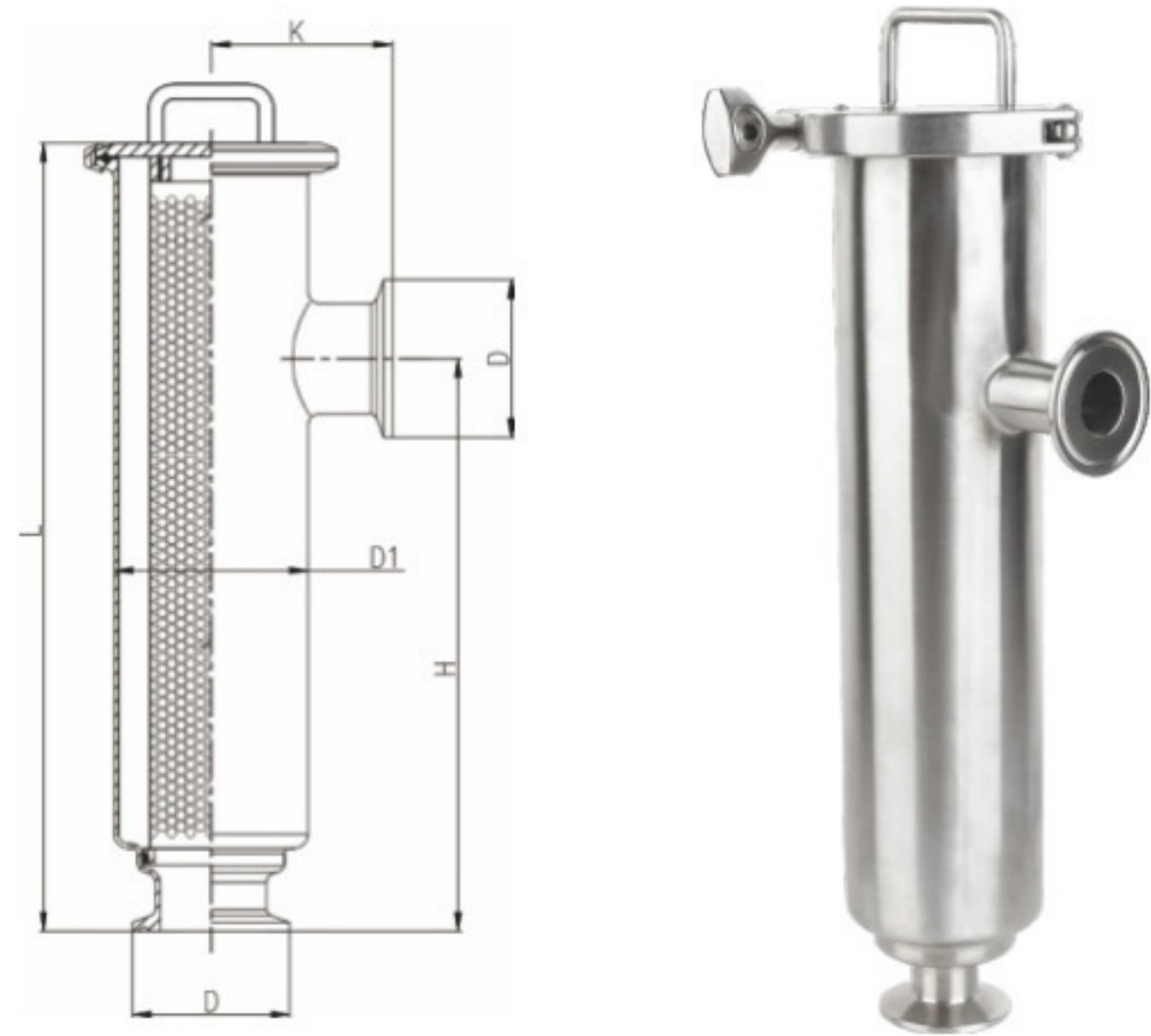
- 接头: 304/316L
- 喷头: 304/316L
- Ferrule: 304/316L
- Sprayer: 304/316L

工作原理 / OPERATING PRINCIPLES

- 旋转式清洗球: 清洗液通过自身的动力使清洗球喷头旋转, 扇形喷流在整个储罐或反应皿中形成涡流, 由此有效的清除留在容器表面的残余产品, 达到清洁作用。
- 固定式清洗球: 清洗球通过清洗球的喷头小口, 形成向四周喷射的喷流, 从而清除留在容器表面残余产品, 达到清洁作用。
- Rotary cleaning ball: The cleaning solution make the sprayer rotary by it's motive power, then the fan jet created the whole tank and reactor with vortex. In that way, clean the remains of vessel surface effectively, reach the function of cleaning.
- Fixed cleaning ball: the cleaning ball is through the sprayer small hole, create the injection all around. In that way, clean the remains of vessel surface effectively, reach the function of cleaning.

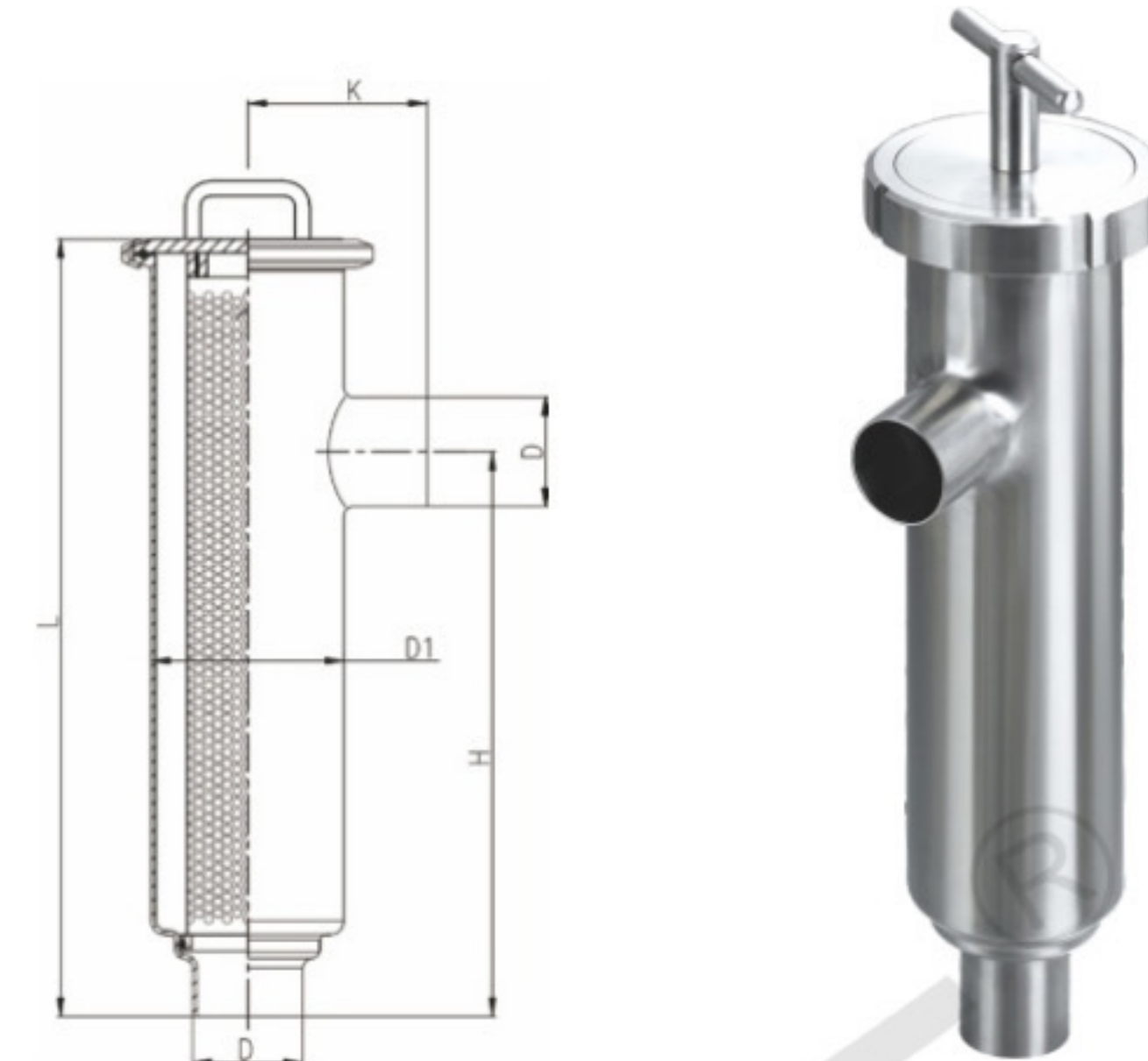
设计标准 / DESIGN STANDARD

- Yodsn 生产的清洗球系列均符合 DIN、3A、SMS、ISO/IDF 等生产标准。
- Yodsn have the standard of cleaning ball series as follows: DIN, 3A, SMS, ISO/IDF



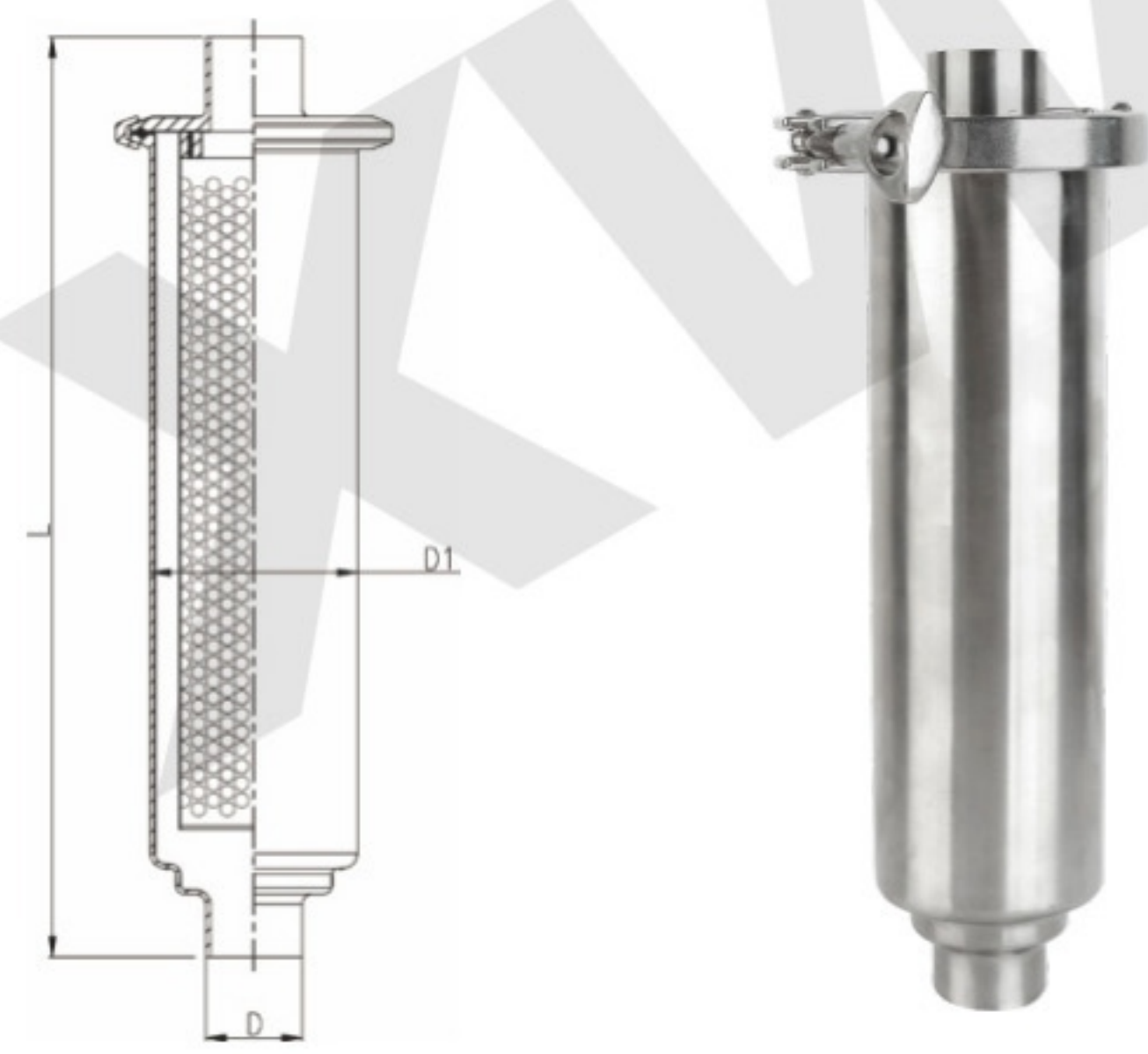
卡箍角式过滤器
Clamped Angle Filter

SIZE	L	H	D	D1	K
1"	356.7	261.7	50.5	76	88.7
1.5"	356.7	261.7	50.5	76	88.7
2"	381.7	276.7	64	89	101.7
2.5"	472.7	342.7	77.5	101.6	114.3
3"	522.7	377.5	91	114.3	127
4"	656	486	119	140	156



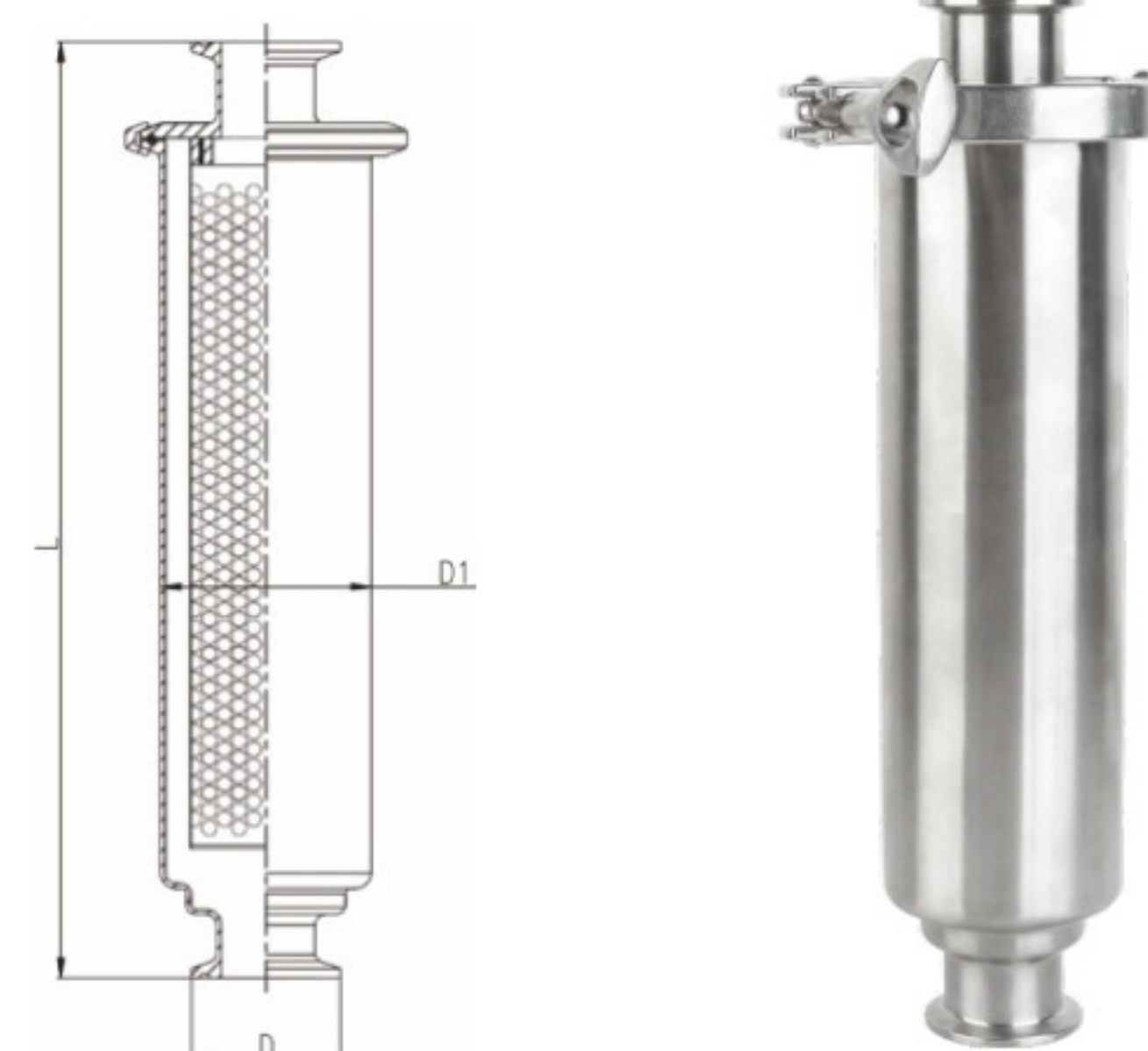
焊接角式过滤器
Welded Angle Filter

SIZE	L	H	D	D1	K
1"	344	249	25.4	76	76
1.5"	344	249	38.1	76	76
2"	369	264	50.8	89	89
2.5"	460	330	63.5	101.6	101.6
3"	510	365	76.2	114.3	114.3
4"	640	470	101.6	140	140



焊接直通过滤器
Welded Straight Filter

SIZE	L	D	D1
1.5"	325	38.1	76.2
2"	360	50.8	101.6
2.5"	395	63.5	101.6
3"	452	76.2	114.3
4"	640	101.6	139.7



卡箍直通过滤器
Clamp Straight Through The Filter

SIZE	L	D	D1
1.5"	325	50.5	76.2
2"	360	64	101.6
2.5"	395	77.5	101.6
3"	452	91	114.3
4"	640	119	139.7